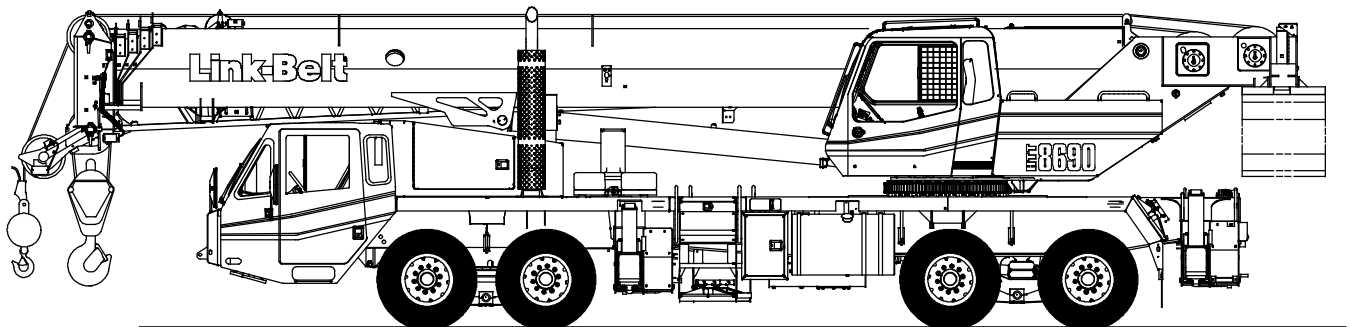


# Technical Data

## Specifications & Capacities

# HTT 8690

Telescopic Boom Truck Terrain Crane  
90 ton (81.60 metric ton)



**CAUTION:** This material is supplied for reference use only. Operator must refer to in-cab Crane Rating Manual and Operator's Manual to determine allowable crane lifting capacities and assembly and operating procedures.



# Table Of Contents

|  |           |
|--|-----------|
| <b>Boom, Attachments, and Upper Structure</b> .....      | <b>1</b>  |
| Boom .....   | 1         |
| Boom Wear Pads .....                                     | 1         |
| Boom Head .....  | 1         |
| Boom Elevation .....                                     | 1         |
| Auxiliary Lifting Sheave – Optional .....                | 1         |
| Hook Blocks and Balls – Optional .....                   | 1         |
| Fly – Optional .....                                     | 1         |
| Fly Extensions – Optional .....                          | 1         |
| Upper Operator’s Cab and Controls .....                  | 2         |
| Swing .....  | 3         |
| Electrical .....   | 3         |
| Additional Equipment .....                               | 3         |
| Load Hoist System .....                                  | 3         |
| Load Hoist Performance .....                             | 3         |
| 2M Main and Optional Auxiliary Winches .....             | 3         |
| Hydraulic System .....                                   | 4         |
| Counterweight .....                                      | 4         |
| <b>Carrier</b> .....                                     | <b>6</b>  |
| General .....  | 6         |
| Outriggers .....   | 6         |
| Steering and Axles .....                                 | 6         |
| Suspension .....   | 6         |
| Tires and Wheels .....                                   | 6         |
| Brakes .....   | 6         |
| Electrical .....   | 6         |
| Engine .....   | 6         |
| Transmission .....                                       | 6         |
| Carrier Speeds and Gradeability .....                    | 7         |
| Fuel Tank .....  | 7         |
| Hydraulic System .....                                   | 7         |
| Pump Drive .....   | 7         |
| Lower Cab and Controls .....                             | 8         |
| Additional Equipment .....                               | 8         |
| <b>Axle Loads</b> .....                                  | <b>9</b>  |
| <b>Axle Loads with 2–Axle or 3–Axle Boom Dolly</b> ..... | <b>10</b> |
| <b>General Dimensions</b> .....                          | <b>11</b> |
| <b>Working Range Diagram</b> .....                       | <b>12</b> |
| <b>Boom Extend Modes</b> .....                           | <b>13</b> |

|  |           |
|--|-----------|
| <b>Main Boom Lift Capacity Charts – Standard</b> .....                                     | <b>14</b> |
| 8,500 lb Counterweight – Fully Extended Outriggers – 360° Rotation .....                   | 14        |
| 8,500 lb Counterweight – On Tires – Stationary – Boom Centered Over Rear .....             | 15        |
| 8,500 lb Counterweight – On Tires – Pick & Carry (1 mph) – Boom Centered Over Rear .....   | 15        |
| 11,500 lb Counterweight – Fully Extended Outriggers – 360° Rotation .....                  | 16        |
| 11,500 lb Counterweight – On Tires – Stationary – Boom Centered Over Rear .....            | 17        |
| 11,500 lb Counterweight – On Tires – Pick & Carry (1 mph) – Boom Centered Over Rear .....  | 17        |
| 14,500 lb Counterweight – On Tires – Stationary – Boom Centered Over Rear .....            | 18        |
| 14,500 lb Counterweight – On Tires – Pick & Carry (1 mph) – Boom Centered Over Rear .....  | 18        |
| <b>Main Boom Lift Capacity Charts – Optional</b> .....                                     | <b>19</b> |
| 32,500 lb Counterweight – Fully Extended Outriggers – 360° Rotation .....                  | 19        |
| 39,500 lb Counterweight – Fully Extended Outriggers – 360° Rotation .....                  | 20        |
| <b>Fly Attachment Lift Capacity Charts – Optional</b> .....                                | <b>21</b> |
| 8,500 lb Counterweight – Fully Extended Outriggers – 360° Rotation .....                   | 21        |
| 11,500 lb Counterweight – Fully Extended Outriggers – 360° Rotation .....                  | 23        |
| 32,500 lb Counterweight – Fully Extended Outriggers – 360° Rotation .....                  | 25        |
| 39,500 lb Counterweight – Fully Extended Outriggers – 360° Rotation .....                  | 27        |
| <b>Main Boom Lift Capacity Charts – Optional (Metric)</b> .....                            | <b>29</b> |
| 3 856kg Counterweight – Fully Extended Outriggers – 360° Rotation .....                    | 29        |
| 3 856kg Counterweight – On Tires – Stationary – Boom Centered Over Rear .....              | 30        |
| 3 856kg Counterweight – On Tires – Pick & Carry (1.6 km/h) – Boom Centered Over Rear ..... | 30        |
| 5 216kg Counterweight – Fully Extended Outriggers – 360° Rotation .....                    | 31        |
| 5 216kg Counterweight – On Tires – Stationary – Boom Centered Over Rear .....              | 32        |
| 5 216kg Counterweight – On Tires – Pick & Carry (1.6 km/h) – Boom Centered Over Rear ..... | 32        |
| 6 577kg Counterweight – On Tires – Stationary – Boom Centered Over Rear .....              | 33        |
| 6 577kg Counterweight – On Tires – Pick & Carry (1.6 km/h) – Boom Centered Over Rear ..... | 33        |
| 14 742kg Counterweight – Fully Extended Outriggers – 360° Rotation .....                   | 34        |
| 17 917kg Counterweight – Fully Extended Outriggers – 360° Rotation .....                   | 35        |
| <b>Fly Attachment Lift Capacity Charts – Optional (Metric)</b> .....                       | <b>36</b> |
| 3 856kg Counterweight – Fully Extended Outriggers – 360° Rotation .....                    | 36        |
| 5 216kg Counterweight – Fully Extended Outriggers – 360° Rotation .....                    | 37        |
| 14 742kg Counterweight – Fully Extended Outriggers – 360° Rotation .....                   | 38        |
| 17 917kg Counterweight – Fully Extended Outriggers – 360° Rotation .....                   | 40        |

# Boom, Attachments, and Upper Structure

## ■ Boom

**Design** – Five section, formed construction of extra high tensile steel consisting of one base section and four telescoping sections. The two plate design of each section has multiple longitudinal bends for superior strength. Each telescoping section extends independently by means of one double-acting, single stage hydraulic cylinder with integrated holding valves.

### Boom

- 38–140 ft (11.6–42.7m) five section boom
- Integral boom dolly connection
- Five boom extend modes (EM1 through EM5), controlled from the operator's cab, provide superior capacities by varying the extension of the telescoping sections:
  - EM1 extends to 140.0 ft (42.7m)
  - EM2 extends to 127.3 ft (38.8m)
  - EM3 extends to 115.8 ft (35.3m)
  - EM4 extends to 102.0 ft (31.1m)
  - EM5 extends to 76.5 ft (23.3m)
- Mechanical boom angle indicator
- Maximum tip height for each extend mode is:
  - EM1 is 148 ft (45.1m)
  - EM2 is 135 ft (41.1m)
  - EM3 is 124 ft (37.8m)
  - EM4 is 110 ft (33.5m)
  - EM5 is 84 ft (25.6m)

### Boom Wear Pads

- Wear pads with Teflon inserts that self-lubricate the boom sections
- Bottom wear pads are universal for all boom sections
- Top wear pads are universal for all boom sections

### Boom Head

- Five 16.5 in (41.9cm) root diameter nylon sheaves to handle up to ten parts of line
- Easily removable wire rope guards
- Rope dead end lugs on each side of the boom head
- Boom head is designed for quick-reeve of the hook block

### Boom Elevation

- One double acting hydraulic cylinder with integral holding valve
- Boom elevation:  $-3^{\circ}$  to  $80^{\circ}$

### Auxiliary Lifting Sheave – Optional

- Single 16.5 in (41.9m) root diameter nylon sheave
- Easily removable wire rope guards
- Does not affect erection of the fly or use of the main head sheaves

### Hook Blocks and Balls – Optional

- 40 ton (36.3mt) 4 sheave quick-reeve hook block with safety latch
- 60 ton (54.4mt) 4 sheave quick-reeve hook block with safety latch
- 90 ton (81.6mt) 6 sheave quick-reeve hook block with safety latch
- 8.5 ton (7.7mt) swivel and non-swivel hook balls with safety latch
- 10 ton (9.1mt) swivel and non-swivel hook balls with safety latch

### Fly – Optional

- 35 ft (10.7m) one piece lattice fly, stowable, offsettable to  $2^{\circ}$ ,  $15^{\circ}$ ,  $30^{\circ}$ , and  $45^{\circ}$ . Maximum tip height is 182 ft (55.5m).
- 35 ft–58 ft (10.7–17.7m) two piece bi-fold lattice fly, stowable, offsettable to  $2^{\circ}$ ,  $15^{\circ}$ ,  $30^{\circ}$ , and  $45^{\circ}$ . Maximum tip height is 205 ft (62.5m).

### Fly Extensions – Optional

- One 16 ft (4.9m) lattice extension, equipped with two 16.5 in (41.9cm) root diameter nylon sheaves, to be mounted between the boom head and fly options. Maximum tip height is 221 ft (67.4m).
- Two 16 ft (4.9m) lattice extensions, one equipped with two 16.5 in (41.9cm) root diameter nylon sheaves, to be mounted between the boom head and fly options. Maximum tip height is 237 ft (72.2m). Minimum of 14,500 lb (6 577.1kg) of counterweight required.

## ■ Upper Operator's Cab and Controls

**Environmental Cab** – Fully enclosed, one person cab of galvanneal steel structure with acoustical insulation.

Equipped with:

- Tinted and tempered glass windows
- Extra—large fixed front window with windshield wiper and washer
- Swing up roof window with windshield wiper
- Sliding left side door with large fixed window
- Sliding rear and right side windows for ventilation
- Six way adjustable, cushioned seat with seat belt and storage compartment
- Diesel fired warm—water heater with air ducts for front windshield defroster and cab floor – optional
- Defroster fan for the front window
- Bubble level
- Circulating fan
- Adjustable sun visor
- Dome light
- Cup holder
- Fire extinguisher
- Left side viewing mirror
- Pull—out cabwalk
- Two position travel swing lock

**Air Conditioning – Optional** – Integral with cab heating system utilizing the same ventilation outlets

**Armrest Controls** – Two dual axis hydraulic joystick controllers or optional single axis hydraulic controllers for:

- Swing
- Boom hoist
- Main rear winch
- Auxiliary front winch – optional
- Drum rotation indication
- Drum rotation indicator activation switch
- Swing park brake switch
- Winch high/low speed and disable switch(es)
- Diesel particulate filter switch (EPA 2007 Engine Only)
- Counterweight handling switch
- Warning horn button

**Outrigger Controls** – Hand held control box with umbilical cord gives the operator the freedom to view operation while setting the outriggers.

### Foot Controls

- Boom telescope
- Swing brake
- Engine throttle

**Right Front Console** – Controls and indicators for:

- |                                     |  |
|-------------------------------------|--|
| • Engine ignition                   | • Console dimmer switch                      |
| • Engine throttle lock              | • Bubble level                               |
| • Pump enable                       | • 12 volt power connection                   |
| • Function disable                  | • Air conditioning – optional                |
| • Front windshield wiper and washer | • Boom floodlight – optional                 |
| • Cab floodlights                   | • Rotating beacon or strobe light – optional |
| • Warning horn                      | • Third wrap selector switch – optional      |
| • Heating controls                  |  |

**Cab Instrumentation** – Ergonomically positioned, analog instrumentation for crane operation including:

- Check and stop engine indicators
- Low air pressure warning indicator
- Swing park brake indicator
- Diesel particulate filter indicator (EPA 2007 Engine Only)
- High exhaust temperature indicator (EPA 2007 Engine Only)
- Engine coolant temperature with warning indicator
- Hydraulic oil temperature with warning indicator
- Fuel level with warning indicator
- Tachometer

**Rated Capacity Limiter** – Microguard 540 color graphic audio—visual warning system integrated into the dash with anti—two block and function limiter. Operating data available includes:

- Crane configuration
- Boom length and angle
- Boom head height
- Allowed load and % of allowed load
- Boom angle
- Radius of load
- Actual load
- Counterweight removal
- Operator settable alarms (include):
  - Maximum and minimum boom angles
  - Maximum and minimum tip height
  - Maximum boom length
  - Left/right swing positions
  - Operator defined area (imaginary plane)

**Integrated Third Wrap Indicator – Optional** – Micro-guard color display visually and audibly warns the operator when the wire rope is on the first/bottom layer and when the wire rope is down to the last three wraps.

**Internal RCL Light Bar – Optional** – Visually informs the operator when crane is approaching maximum load capacity with a series of green, yellow, and red lights.

**External RCL Light Bar – Optional** – Visually informs the ground crew when crane is approaching maximum load capacity with a series of green, yellow, and red lights.

## ■ Swing

**Motor/Planetary** – Bi-directional hydraulic swing motor mounted to a planetary reducer for 360° continuous smooth swing at 1.7 rpm.

**Swing Park Brake** – 360°, electric over hydraulic, (spring applied/hydraulic released) multi-disc brake mounted on the speed reducer. Operated by a switch from the operator's cab.

**Swing Brake** – 360°, foot operated, hydraulic applied disc brake mounted to the speed reducer.

**Swing Lock** – Two-position swing lock (boom over front or rear) operated from the operator's cab.

**360° Positive Swing Lock – Optional** – Meets New York City requirement.

## ■ Electrical

**Swing Alarm** – Audio warning device signals when the upper is swinging.

### Lights

- Two working lights on front of the cab
- One rotating amber beacon on top of the cab – optional
- One amber strobe beacon on top of the cab – optional
- Boom floodlight – optional

## ■ Additional Equipment

- Left side aluminum storage box

## ■ Load Hoist System

### Load Hoist Performance

| Main (Rear) and Auxiliary (Front) Winches – 3/4 in (19mm) Rope |                   |         |                   |       |                 |       |       |      |       |       |
|--|-------------------|---------|-------------------|-------|-----------------|-------|-------|------|-------|-------|
| Layer  | Maximum Line Pull |         | Normal Line Speed |       | High Line Speed |       | Layer |      | Total |       |
|  | lb                | kg      | ft/min            | m/min | ft/min          | m/min | ft    | m    | ft    | m     |
| 1  | 16,880            | 7 656.6 | 179               | 54.6  | 356             | 108.5 | 114   | 34.7 | 114   | 34.7  |
| 2  | 15,519            | 7 039.3 | 195               | 59.4  | 387             | 118.0 | 124   | 37.8 | 238   | 72.5  |
| 3  | 14,362            | 6 514.5 | 211               | 64.3  | 418             | 127.4 | 134   | 40.8 | 372   | 113.4 |
| 4  | 13,365            | 6 062.3 | 226               | 68.9  | 449             | 136.9 | 144   | 43.9 | 516   | 157.3 |
| 5  | 12,497            | 5 668.5 | 242               | 73.8  | 480             | 146.3 | 154   | 46.9 | 670   | 204.2 |
| 6  | ---               | ---     | ---               | ---   | ---             | ---   | 164   | 50.0 | 834   | 254.2 |

| Wire Rope Application   |          | Diameter |    | Type   | Maximum Permissible Load |         |
|-------------------------|----------|----------|----|--|--------------------------|---------|
|                         |          | in       | mm |  | lb                       | kg      |
| Main (Rear) Winch       | Standard | 3/4      | 19 | 18x19 rotation resistant – right regular lay (Type RB) | 12,920                   | 5 860.5 |
|                         | Optional | 3/4      | 19 | 36x7 rotation resistant – right regular lay (Type ZB)  | 15,600                   | 7 076.2 |
| Auxiliary (Front) Winch | Standard | 3/4      | 19 | 18x19 rotation resistant – right regular lay (Type RB) | 12,920                   | 5 860.5 |
|                         | Optional | 3/4      | 19 | 36x7 rotation resistant – right regular lay (Type ZB)  | 15,600                   | 7 076.2 |

## 2M Main and Optional Auxiliary Winches

- Axial piston, full and half displacement (2-speed) motors driven through planetary reduction unit for positive control under all load conditions.
- Grooved lagging
- Power up/down mode of operation
- Hoist drum cable follower – optional

- Drum rotation indicator
- Drum diameter: 16 in (40.6cm)
- Rope length:
  - Main: 730 ft (222.5m)
  - Auxiliary: 600 ft (182.9m) or 730 ft (222.5m)
- Maximum rope storage: 834 ft (254.2m)
- Terminator style socket and wedge

**Third wrap indicator – optional** – Visually and audibly warns the operator when the wire rope is on the bottom layer and when the wire rope is down to the last three wraps.

## ■ Hydraulic System

All circuits of the hydraulic system are pressure compensated.

**Counterbalance Valves** – All hoist motors, boom extend cylinders, and boom hoist cylinders are equipped with counterbalance valves to provide load lowering and to prevent accidental load drop if hydraulic power is suddenly reduced.

**Hydraulic Oil Cooler** – One carrier mounted cooler removes heat from the hydraulic oil. The cooler is mounted in left side access ladder.

**Boom Hoist Float Valves (Optional)** – For transporting the boom over the rear of the crane with a boom dolly. Allows hydraulic oil within the boom hoist cylinder to flow between piston side and case side, allowing the boom to float while on the boom dolly.

**Swing Brake Release** – For transporting the boom over the rear of the crane with a boom dolly. Holds the 360° swing park brake in the released position allowing free rotation of the upper structure.

## ■ Counterweight

**Standard** – Total of 11,500 lb (5 216kg) of total counterweight consisting of three, hydraulically removable counterweights. Assembled and disassembled by hydraulic cylinders controlled from the operator's cab with capacities for:

- 0 lb (0kg) counterweight
- 2,500 lb (1 134.0kg) counterweight
- 5,500 lb (2 494.8kg) counterweight
- 8,500 lb (3 855.5kg) counterweight
- 11,500 lb (5 216.3kg) counterweight

**Optional** – 15,000 lb (6 803.9kg) in addition to standard counterweight for a total of 26,500 lb (12 020.2kg) with additional capacities for:

- 14,500 lb (6 577.1kg) counterweight
- 20,500 lb (9 298.6kg) counterweight
- 23,500 lb (10 659.4kg) counterweight
- 26,500 lb (12 020.2kg) counterweight

**Optional** – 21,000 lb (9 525.4kg) in addition to standard counterweight for a total of 32,500 lb (14 741.8kg) with additional capacities for:

- 14,500 lb (6 577.1kg) counterweight
- 17,500 lb (7 937.9kg) counterweight
- 20,500 lb (9 298.6kg) counterweight
- 23,500 lb (10 659.4kg) counterweight
- 26,500 lb (12 020.2kg) counterweight
- 29,500 lb (13 381.0kg) counterweight
- 32,500 lb (14 741.8kg) counterweight

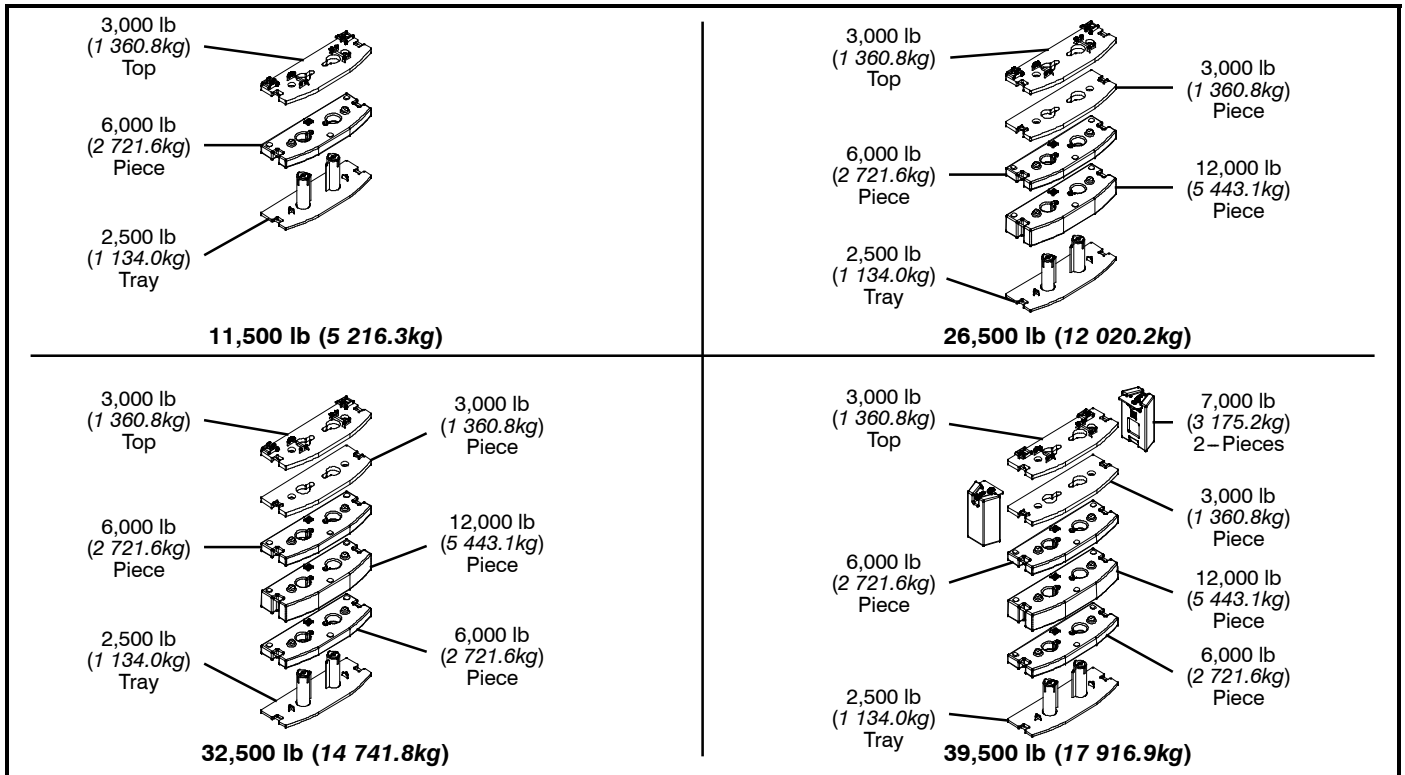
**Optional** – 28,000 lb (12 700.6kg) in addition to standard counterweight for a total of 39,500 lb (17 916.9kg) with additional capacities for:

- 14,500 lb (6 577.1kg) counterweight
- 17,500 lb (7 937.9kg) counterweight
- 20,500 lb (9 298.6kg) counterweight
- 23,500 lb (10 659.4kg) counterweight
- 26,500 lb (12 020.2kg) counterweight
- 29,500 lb (13 381.0kg) counterweight
- 32,500 lb (14 741.8kg) counterweight
- 39,500 lb (17 916.9kg) counterweight\*

Limited low speed jobsite travel is offered for every counterweight configuration except 39,500 lb (17 916kg) and a boom dolly or boom trailer may be required for on-highway travel.

\* Overall width of the crane increases to 11 ft (3.4m) for this counterweight configuration





| Counterweight Packages             |                           | 11,500 lb (5 216.3kg) – Standard  |                                  |                                |                                  |                                   |                                  |                                     |
|------------------------------------|---------------------------|-----------------------------------|----------------------------------|--------------------------------|----------------------------------|-----------------------------------|----------------------------------|-------------------------------------|
|                                    |                           | 26,500 lb (12 020.2kg) – Optional |                                  |                                |                                  |                                   |                                  |                                     |
| Counterweight Modules              |                           | 32,500 lb (14 741.8kg) – Optional |                                  |                                |                                  |                                   |                                  |                                     |
|                                    |                           | 39,500 lb (17 916.9kg) – Optional |                                  |                                |                                  |                                   |                                  |                                     |
|                                    |                           | 2,500 lb<br>(1 134.0kg)<br>Tray   | 6,000 lb<br>(2 721.6kg)<br>Piece | 3,000 lb<br>(1 360.8kg)<br>Top | 3,000 lb<br>(1 360.8kg)<br>Piece | 12,000 lb<br>(5 443.1kg)<br>Piece | 6,000 lb<br>(2 721.6kg)<br>Piece | 7,000 lb<br>(3 175.2kg)<br>2-Pieces |
| Counterweight Usage Configurations | 0 lb<br>(0kg)             |                                   |                                  |                                |                                  |                                   |                                  |                                     |
|                                    | 2,500 lb<br>(1 134.0kg)   | X                                 |                                  |                                |                                  |                                   |                                  |                                     |
|                                    | 5,500 lb<br>(2 494.8kg)   | X                                 |                                  | X                              |                                  |                                   |                                  |                                     |
|                                    | 8,500 lb<br>(3 855.5kg)   | X                                 | X                                |                                |                                  |                                   |                                  |                                     |
|                                    | 11,500 lb<br>(5 216.3kg)  | X                                 | X                                | X                              |                                  |                                   |                                  |                                     |
|                                    | 14,500 lb<br>(6 577.1kg)  | X                                 | X                                | X                              | X                                |                                   |                                  |                                     |
|                                    | 17,500 lb<br>(7 937.9kg)  | X                                 | X                                | X                              |                                  |                                   | X                                |                                     |
|                                    | 20,500 lb<br>(9 298.6kg)  | X                                 | X                                | X                              | X                                |                                   | X                                |                                     |
|                                    | 23,500 lb<br>(10 659.4kg) | X                                 | X                                | X                              |                                  | X                                 |                                  |                                     |
|                                    | 26,500 lb<br>(12 020.2kg) | X                                 | X                                | X                              | X                                | X                                 |                                  |                                     |
|                                    | 29,500 lb<br>(13 381.0kg) | X                                 | X                                | X                              |                                  | X                                 | X                                |                                     |
|                                    | 32,500 lb<br>(14 741.8kg) | X                                 | X                                | X                              | X                                | X                                 | X                                |                                     |
| 39,500 lb<br>(17 916.9kg)          | X                         | X                                 | X                                | X                              | X                                | X                                 | X                                |                                     |

# Carrier

## General

- 8 ft 6 in (2.6 m) wide
- 23 ft 10 in (7.26m) wheelbase (centerline of first axle to centerline of fourth axle)
- **Frame** – Box-type, torsion resistant, welded construction made of high tensile steel. Equipped with front and rear towing and tie-down lugs, tow connections, and access ladders.

## Outriggers

**Boxes** – Two double box, front and rear welded to the carrier frame

**Beams and Jacks** – Four dual stage beams with Confined Area Lifting Capacities (CALC) provide selectable outrigger extensions of full, intermediate, and retracted positions. Jacks with integral check valves, hydraulically controlled from the operator's cab and on both sides of carrier. A fifth front bumper outrigger with integral check valves is hydraulically controlled from the operator's cab and at the front bumper of carrier.

**Pontoons** – Four lightweight, stow'n go, 23.5" x 27.25" (59.7 x 69.2cm) hexagonal steel pontoons with a contact area of 485 in<sup>2</sup> (3 129cm<sup>2</sup>) can be stored for road travel in either the storage racks on the carrier or under the outrigger boxes.

**Main Jack Reaction** – 106,000 lb (48 080.8kg) force and 217 psi (1 496.2kPa) ground bearing pressure

## Steering and Axles

- Sheppard full integral master gear/slave gear steering system provides hydraulic assisted steering with mechanical link between steering wheel and wheels
- **Drive** – 8 x 4 for on/off-highway travel
- **Axle 1 & 2** – Tandem steered, non-driven
- **Axle 3 & 4** – Tandem steered, driven with reduction: 6.35 to 1
- **Inter-Axle Differential Lock** – Traction adding device that locks axle 3 with axle 4. Operated by a switch from the carrier cab.
- **Transverse (Cross-Axle) Differential Locks** – Traction adding device that locks differentials within axles 3 and 4. Operated by a switch from the carrier cab.

## Suspension

**Front** – Raydan Air Link walking beam air suspension

**Rear** – Raydan Air Link walking beam air suspension

- **Axle Lift System – Optional** – Improves rear tire ground clearance when the crane is up on outriggers. The rear tandem axles are raised and lowered with a switch in the carrier cab. The axle lift system can be controlled with a switch on both sides of the carrier.

## Tires and Wheels

**Front** – Four (single) 445/65R22.5 tires on aluminum disc wheels

**Rear** – Four (single) 445/65R22.5 tires on aluminum disc wheels

- Spare tires and wheels – optional
- Tire inflation kit – optional

## Brakes

**Service** – Full air anti-lock (ABS) brakes on all wheel ends. Dual circuit compressed air system with air dryer.

**Parking/Emergency** – Spring loaded type, acting on 3rd and 4th axles automatically apply when air pressure drops below 40 psi (275.8kPa) in both circuits.

## Electrical

**Battery** – Three batteries provide 12 volt starting and operation

### Lights

- Front lighting includes two main headlights, two high beam lights, two parking/directional indicators, and three cab marker lights.
- Side lighting includes three parking/directional indicators per side.
- Rear lighting includes two parking/directional indicators, two parking/brake lights, two reverse lights, three marker lights, and a license plate light.
- Other equipment includes hazard/warning system, cab light, instrument panel light, and signal horn.
- One amber strobe beacon on top of the cab – optional
- Daytime running lights – optional

## Engine

| Specification  | Caterpillar C13                                    | Cummins QSX15                                    |
|--|--|--|
| Emissions Compliance Level:  | EPA 2007 (1)                                       | Tier III/Stage IIIA (2)                          |
| Maximum Allowable Sulfur Content of Fuel (PPM):  | 15   | 5000   |
| Numbers of cylinders:  | 6  | 6  |
| Cycle:   | 4  | 4  |
| Bore and Stroke: inch (mm)   | 5.12 x 6.18 (130x157)                              | 5.39 x 6.65 (137x169)                            |
| Piston Displacement: in <sup>3</sup> (L)   | 763 (12.5)   | 915 (15.0)                                       |
| Max. Brake Horsepower: hp (kW)   | 445 (331.8) @ 1,800 rpm<br>430 (320.7) @ 2,100 rpm | 480 (358.8) @ 1,800 rpm<br>450 (336) @ 2,100 rpm |
| Peak Torque: ft lb (Nm)  | 1,550 (2 101.5) @ 1,200 rpm                        | 1,550 (2 102) @ 1,400 rpm                        |
| Alternator: volts – amps   | 12 – 135   | 12 – 135   |
| Crankcase Capacity: qt (L)   | 42.4 (40.1)  | 48.0 (45.4)                                      |
| <ul style="list-style-type: none"> <li>• Cruise control</li> <li>• Three-stage engine compression brake</li> <li>• Thermostatically controlled, hydraulically driven radiator fan</li> <li>• 120 volt engine block heater</li> <li>• Ether injection system – optional on C13</li> <li>• Grid heater starting aid standard on QSX</li> </ul> |  |  |
| (1) Complies with EPA emissions standards effective January 2007.  |  |  |
| (2) Complies with Tier III and Stage IIIA emissions standards effective January 2006.  |  |  |

## Transmission

**Automated** – ZF AS-TRONIC (no clutch pedal) manual transmission with 12 forward gears and 2 reverse gears.

## Carrier Speeds and Gradeability

| ZF Astronic  |           | Governed Speed |      |                     |      | Gradeability<br>(@ Peak Torque<br>Except Creep @ Idle) |                         |      |
|--------------|-----------|----------------|------|---------------------|------|--|-------------------------|------|
|              |           | EPA 2007       |      | Tier III/Stage IIIA |      | % Grade  |                         |      |
| Gear         | Ratio     | mph            | km/h | mph                 | km/h | EPA 2007   | Tier III/<br>Stage IIIA |      |
|              |           |                |      |                     |      | 12th   | 0.78                    | 55.9 |
| 11th         | 1.00      | 43.5           | 70.0 | 43.5                | 70.0 | 3.9  | 3.9                     |      |
| 10th         | 1.27      | 34.3           | 55.3 | 34.3                | 55.3 | 5.3  | 5.3                     |      |
| 9th          | 1.63      | 26.7           | 43.0 | 26.7                | 43.0 | 7.1  | 7.1                     |      |
| 8th          | 2.10      | 20.7           | 33.3 | 20.7                | 33.3 | 9.4  | 9.4                     |      |
| 7th          | 2.70      | 16.1           | 25.9 | 16.1                | 25.9 | 12.4   | 12.4                    |      |
| 6th          | 3.55      | 12.3           | 19.7 | 12.3                | 19.7 | 16.5   | 16.5                    |      |
| 5th          | 4.57      | 9.5            | 15.3 | 9.5                 | 15.3 | 21.4   | 21.4                    |      |
| 4th          | 5.78      | 7.5            | 12.1 | 7.5                 | 12.1 | 27.4   | 27.3                    |      |
| 3rd          | 7.44      | 5.9            | 9.4  | 5.9                 | 9.4  | 35.4   | 35.3                    |      |
| 2nd          | 9.59      | 4.5            | 7.3  | 4.5                 | 7.3  | 45.8   | 45.8                    |      |
| 1st          | 12.33     | 3.5            | 5.7  | 3.5                 | 5.7  | 59.1   | 59.0                    |      |
| Reverse 1    | 11.41     | 3.8            | 6.1  | 3.8                 | 6.1  | 54.6   | 54.6                    |      |
| Reverse 2    | 8.88      | 4.9            | 7.9  | 4.9                 | 7.9  | 42.4   | 42.3                    |      |
| Creep @ idle | 2nd       | 9.59           | 1.5  | 2.4                 | 1.5  | 2.4  | 18.0                    | 32.4 |
|              | 1st       | 12.33          | 1.2  | 1.9                 | 1.2  | 1.9  | 23.4                    | 41.8 |
|              | Reverse 1 | 11.41          | 1.3  | 2.0                 | 1.3  | 2.0  | 21.6                    | 38.7 |
|              | Reverse 2 | 8.88           | 1.6  | 2.6                 | 1.6  | 2.6  | 16.6                    | 30.0 |

Based on a gross vehicle weight of 95,000 lb (43 091.3kg)

### Fuel Tank

One 80 gal (302.8L) capacity tank

### Hydraulic System

All functions are hydraulically powered allowing positive, precise control with independent or simultaneous operation of all functions.

#### Main Pumps

- Three fixed displacement gear pumps with automatic disconnect for the main and auxiliary winches, swing, boom hoist, control circuit, and telescope for use when pick & carry switch is in travel mode.
- One fixed displacement gear pump for steering and the front bumper outrigger
- Two fixed displacement gear pumps for engine cooling fan and main outriggers. These pumps also provide flow to the winches and boom hoist for “pick & carry” mode. Operated by a switch in the carrier cab.
- Combined pump capacity of 188 gpm (711.7Lpm)

**Hydraulic Reservoir** – 144 gal (545.1L) capacity equipped with sight level gauge. Diffusers built in for deaeration.

**Filtration** – One 10 micron, full flow, return line filter. All oil is filtered prior to return to reservoir. Accessible for easy filter replacement.

### Pump Drive

All pumps are mechanically driven by the diesel engine. Main and auxiliary winches, swing, boom hoist, control circuit, and telescope pumps are mounted to an automatic pump disconnect on the rear of the transmission to aid in cold weather starting as well as to reduce pump wear while traveling.

## ■ Lower Cab and Controls

**Environmental Cab** – Fully enclosed, one person cab of composite structure with acoustical insulation. Equipped with:

- Tinted and tempered glass windows
- Roll down left side window for ventilation
- Sliding rear and right side windows for ventilation
- Windshield wiper and washer
- Six way adjustable and air suspended driver's seat with seat belt
- Two adjustable rear view mirrors
- Engine dependent warm–water heater with air ducts for windshield defroster and cab floor
- Adjustable sun visor
- Dome light
- 12 volt connection
- Fire extinguisher

**Air Conditioning – Optional** – Integral with cab heating system utilizing the same ventilation outlets

**Cab Instrumentation** – Ergonomically positioned analog instrumentation for driving including:

- Speedometer with odometer, hourmeter, trip odometer, and clock
- Front and rear air pressure with warning indicator
- Engine coolant temperature with warning indicator
- Engine oil pressure with warning indicator
- Voltage indicator with warning indicator
- Fuel level
- Tachometer

**Right Side Console** – Controls and indicators for:

- Transmission gear shifting
- Transmission digital readout
- Cruise controls
- Engine compression brake controls
- Rear steer axle lock switch
- Rear axle steering switch

**Dash Mounted Controls For:**

- Carrier lights
- Carrier/upper throttle control
- Engine cooling fan override
- Cab heater/air conditioning
- Console dimmer switch
- Anti–lock brake diagnostic switch
- Diesel particulate filter switch
- Park brake
- Pick & carry switch
- Inter–axle differential lock switch
- Rear axle lift system switch – optional

**Dash Mounted Indicator For:**

- Check, stop, and service engine
- Turn signal indication
- Park brake
- Cruise activation
- High beam headlights
- Check anti–lock brake system
- Check anti–lock trailer brake system
- Diesel particulate filter indication (EPA 2007 Engine Only)
- High exhaust temperature indication (EPA 2007 Engine Only)

**Steering Column Controls For:**

- Engine ignition
- Warning horn
- Turn indicators
- High beam headlights
- Steering wheel adjustments
- Intermittent windshield wiper and washer
- Hazard lights

**Foot Controls For:**

- Carrier service brakes
- Engine throttle

## ■ Additional Equipment

**Standard:**

- Aluminum full deck fenders with mud flaps
- Left and right bubble levels
- Air hose connection ports
- Clearance flags

**Optional:**

- Pneumatic and electrical quick disconnect connectors mounted on the rear for trailer or boom dolly brakes and lights
- Left side aluminum storage box
- Rear mounted pintle hook

# Axle Loads

| Base crane with full tank of fuel<br>and no counterweight                   | Gross Vehicle Weight<br>( <sup>1</sup> ) |        | Front Axles |        | Rear Axles |        |
|---|--|--------|-------------|--------|------------|--------|
|   | lb                                       | kg     | lb          | kg     | lb         | kg     |
|   | 80,205                                   | 36 380 | 35,342      | 16 030 | 44,863     | 20 350 |
| Driver in carrier cab   | 250                                      | 113    | 315         | 143    | -65        | -29    |
| Rear pintle hook  | 13                                       | 6      | -6          | -3     | 19         | 8      |
| Pneumatic and electrical connectors for trailer or boom dolly               | 11                                       | 5      | -4          | -2     | 15         | 7      |
| Carrier aluminum storage box  | 59                                       | 27     | 28          | 13     | 31         | 14     |
| Air ride lift system – rear axles   | 48                                       | 22     | 0           | 0      | 48         | 22     |
| Ether injection   | 13                                       | 6      | 12          | 5      | 1          | 1      |
| Air conditioning – carrier  | 45                                       | 20     | 55          | 25     | -10        | -4     |
| Hoist drum follower – main  | 69                                       | 31     | -35         | -16    | 104        | 47     |
| Auxiliary winch with 600 ft (182.9m) of 3/4" (19mm) type "RB" rope          | 731                                      | 332    | -239        | -108   | 970        | 440    |
| Hoist drum follower – auxiliary   | 69                                       | 31     | -21         | -10    | 90         | 41     |
| Substitute 600 ft (182.9m) of rope with 730 ft (222.5m) of rope – auxiliary | 163                                      | 74     | -54         | -24    | 217        | 98     |
| Remove 730 ft (222.5m) of rope from rear (main) winch                       | -931                                     | -422   | 373         | 169    | -1,304     | -591   |
| Remove 600 ft (182.9m) of rope from front (auxiliary) winch                 | -768                                     | -348   | 252         | 114    | -1,020     | -463   |
| Upper aluminum storage box  | 42                                       | 19     | -4          | -2     | 46         | 21     |
| Air conditioner – operator's cab  | 179                                      | 81     | -5          | -2     | 184        | 83     |
| 360° mechanical swing lock  | 140                                      | 64     | 21          | 9      | 119        | 54     |
| 2,500 lb (1 134.0kg) counterweight tray on upper                            | 2,544                                    | 1 154  | -1,255      | -569   | 3,799      | 1 723  |
| 3,000 lb (1 360.8kg) counterweight on upper                                 | 2,981                                    | 1 352  | -1,471      | -667   | 4,452      | 2 019  |
| 6,000 lb (2 721.6kg) counterweight on upper                                 | 6,000                                    | 2 722  | -2,961      | -1 343 | 8,961      | 4 065  |
| 6,000 lb (2 721.6kg) counterweight on upper                                 | 6,000                                    | 2 722  | -2,961      | -1 343 | 8,961      | 4 065  |
| 12,000 lb (5 443.1kg) counterweight on upper                                | 12,050                                   | 5 466  | -5,947      | -2 697 | 17,997     | 8 163  |
| 3,000 lb (1 360.8kg) top counterweight on upper                             | 3,009                                    | 1 365  | -1,485      | -674   | 4,494      | 2 038  |
| Floodlight to the front of boom base section                                | 7  | 3      | 6           | 3      | 1          | 1      |
| Fly mounting brackets to boom base section for fly options                  | 176                                      | 80     | 136         | 62     | 40         | 18     |
| 35–58 ft (10.7m) offsettable, one–piece lattice fly – stowed                | 1,591                                    | 722    | 1,539       | 698    | 52         | 24     |
| 35–58 ft (10.7–17.7m) offsettable, two–piece (bi–fold) lattice fly – stowed | 2,263                                    | 1 026  | 1,886       | 855    | 377        | 171    |
| Auxiliary lifting sheave  | 110                                      | 50     | 200         | 91     | -90        | -41    |
| 40 ton (36.3mt) 4–sheave hook block at front bumper                         | 900                                      | 408    | 1,570       | 712    | -670       | -304   |
| 60 ton (54.4mt) 4–sheave hook block at front bumper                         | 1,109                                    | 503    | 1,935       | 878    | -826       | -375   |
| 90 ton (81.6mt) 6–sheave hook block at front bumper                         | 1,554                                    | 705    | 2,711       | 1 230  | -1,157     | -525   |
| 8.5 ton (7.7mt) hook ball at front bumper                                   | 360                                      | 163    | 628         | 285    | -268       | -122   |
| 10 ton (9.1mt) hook ball at front bumper                                    | 580                                      | 263    | 1,012       | 459    | -432       | -196   |

| Counterweight Load Transfer                                      | Front Axles |       | Rear Axles |        |
|--|-------------|-------|------------|--------|
|  | lb          | kg    | lb         | kg     |
| Transfer 2,500 lb (1 134.0kg) counterweight tray to carrier deck | 3,194       | 1 449 | -3,194     | -1 449 |
| Transfer 3,000 lb (1 360.8kg) counterweight to carrier deck      | 3,742       | 1 697 | -3,742     | -1 697 |
| Transfer 6,000 lb (2 721.6kg) counterweight to carrier deck      | 7,532       | 3 416 | -7,532     | -3 416 |
| Transfer 6,000 lb (2 721.6kg) counterweight to carrier deck      | 7,532       | 3 416 | -7,532     | -3 416 |
| Transfer 12,000 lb (5 443.1kg) counterweight to carrier deck     | 15,128      | 6 862 | -15,128    | -6 862 |
| Transfer 3,000 lb (1 360.8kg) top counterweight to carrier deck  | 3,778       | 1 714 | -3,778     | -1 714 |

| Axle  | Maximum Load @ 65 mph (105km/h)                                    |
|-------|--|
| Front | 46,400 lb (21 047kg) – aluminum disc wheels with 445/65R22.5 tires |
| Rear  | 51,200 lb (23 224kg) – aluminum disc wheels with 445/65R22.5 tires |

(<sup>1</sup>) Adjust gross vehicle weight and axle loading according to component weight. All weights are ±3%.

## Axle Loads with 2–Axle or 3–Axle Boom Dolly

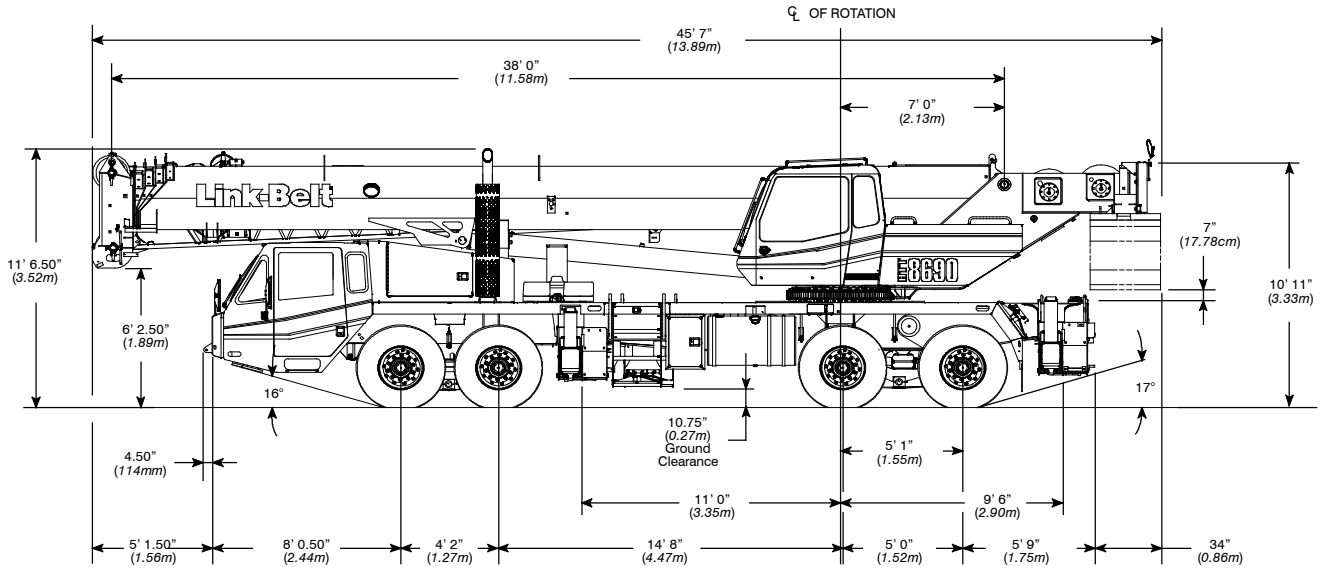
| Base crane with full tank of fuel<br>and no counterweight                   | Gross Vehicle<br>Weight <sup>(1)</sup> |        | Front Axles |        | Rear Axles |        | Dolly Axles |       |
|---|--|--------|-------------|--------|------------|--------|-------------|-------|
|   | lb                                     | kg     | lb          | kg     | lb         | kg     | lb          | kg    |
|   | 80,205                                 | 36 380 | 29,753      | 13 496 | 36,267     | 16 450 | 14,185      | 6 434 |
| Nelson 2–axle boom dolly  | 6,000                                  | 2 722  | 0           | 0      | 0          | 0      | 6,000       | 2 722 |
| Nelson 3–axle boom dolly  | 7,160                                  | 3 248  | 0           | 0      | 0          | 0      | 7,160       | 3 248 |
| Driver in carrier cab   | 250                                    | 113    | 315         | 143    | –65        | –29    | 0           | 0     |
| Rear pintle hook  | 13                                     | 6      | –6          | –3     | 19         | 8      | 0           | 0     |
| Pneumatic and electrical connectors for trailer or boom dolly               | 11                                     | 5      | –4          | –2     | 15         | 7      | 0           | 0     |
| Carrier aluminum storage box  | 59                                     | 27     | 28          | 13     | 31         | 14     | 0           | 0     |
| Air ride lift system – rear axles   | 48                                     | 22     | 0           | 0      | 48         | 22     | 0           | 0     |
| Ether injection   | 13                                     | 6      | 12          | 5      | 1          | 1      | 0           | 0     |
| Air conditioning – carrier  | 45                                     | 20     | 55          | 25     | –10        | –4     | 0           | 0     |
| Hoist drum follower – main  | 69                                     | 31     | 53          | 24     | 16         | 7      | 0           | 0     |
| Auxiliary winch with 600 ft (182.9m) of 3/4" (19mm) type "RB" rope          | 731                                    | 332    | 435         | 197    | 296        | 134    | 0           | 0     |
| Hoist drum follower – auxiliary   | 69                                     | 31     | 40          | 18     | 29         | 13     | 0           | 0     |
| Substitute 600 ft (182.9m) of rope with 730 ft (222.5m) of rope – auxiliary | 163                                    | 74     | 97          | 44     | 66         | 30     | 0           | 0     |
| Remove 730 ft (222.5m) of rope from rear (main) winch                       | –931                                   | –422   | –623        | –282   | –308       | –140   | 0           | 0     |
| Remove 600 ft (182.9m) of rope from front (auxiliary) winch                 | –768                                   | –348   | –458        | –208   | –310       | –140   | 0           | 0     |
| Upper aluminum storage box  | 42                                     | 19     | 15          | 7      | 27         | 12     | 0           | 0     |
| Air conditioner – operator's cab  | 179                                    | 81     | 53          | 24     | 126        | 57     | 0           | 0     |
| 360° mechanical swing lock  | 140                                    | 64     | 17          | 8      | 123        | 56     | 0           | 0     |
| 2,500 lb (1 134.0kg) counterweight tray on carrier deck                     | 2,544                                  | 1 154  | 1,938       | 879    | 606        | 275    | 0           | 0     |
| 3,000 lb (1 360.8kg) counterweight on carrier deck                          | 2,981                                  | 1 352  | 2,271       | 1 030  | 710        | 322    | 0           | 0     |
| 6,000 lb (2 721.6kg) counterweight on carrier deck                          | 6,000                                  | 2 722  | 4,571       | 2 074  | 1,429      | 648    | 0           | 0     |
| 6,000 lb (2 721.6kg) counterweight on carrier deck                          | 6,000                                  | 2 722  | 4,571       | 2 074  | 1,429      | 648    | 0           | 0     |
| 12,000 lb (5 443.1kg) counterweight on carrier deck                         | 12,050                                 | 5 466  | 9,181       | 4 164  | 2,869      | 1 301  | 0           | 0     |
| 3,000 lb (1 360.8kg) top counterweight on upper                             | 3,009                                  | 1 365  | 2,293       | 1 040  | 716        | 325    | 0           | 0     |
| Flood light to the front of boom base section                               | 7                                      | 3      | 1           | 1      | 1          | 1      | 5           | 2     |
| Fly mounting brackets to boom base section for fly options                  | 176                                    | 80     | 30          | 14     | 30         | 14     | 116         | 53    |
| 35 ft (10.7m) offsettable, one–piece lattice fly – stowed                   | 1,591                                  | 722    | 168         | 76     | 170        | 77     | 1,253       | 568   |
| 35–58 ft (10.7–17.7m) offsettable, two–piece (bi–fold) lattice fly – stowed | 2,263                                  | 1 026  | 339         | 154    | 342        | 155    | 1,583       | 718   |
| Two 16 ft (4.9m) lattice inserts (stowed on 3–axle boom dolly)              | 1,584                                  | 718    | 0           | 0      | 0          | 0      | 1,584       | 718   |
| Auxiliary lifting sheave  | 110                                    | 50     | –19         | –9     | –19        | –9     | 149         | 67    |
| 40 ton (36.3mt) 4–sheave hook block at boom head                            | 900                                    | 408    | –134        | –61    | –135       | –61    | 1,169       | 530   |
| 60 ton (54.4mt) 4–sheave hook block at boom head                            | 1,109                                  | 503    | –165        | –75    | –167       | –76    | 1,441       | 654   |
| 90 ton (81.6mt) 6–sheave hook block at boom head                            | 1,554                                  | 705    | –231        | –105   | –233       | –106   | 2,019       | 916   |
| 8.5 ton (7.7mt) hook ball at boom head                                      | 360                                    | 163    | –54         | –24    | –54        | –25    | 468         | 212   |
| 10 ton (9.1mt) hook ball at boom head                                       | 580                                    | 263    | –87         | –39    | –87        | –39    | 754         | 342   |

| Counterweight Load Transfer                                       | Front Axles |        | Rear Axles |        | Dolly Axles |       |
|---|-------------|--------|------------|--------|-------------|-------|
|   | lb          | kg     | lb         | kg     | lb          | kg    |
| Transfer 3,000 lb (1 360.8kg) counterweight to the boom dolly     | –2,271      | –1 030 | –710       | –322   | 2,981       | 1 352 |
| Transfer 6,000 lb (2 721.6kg) counterweight to the boom dolly     | –4,571      | –2 074 | –1,429     | –648   | 6,000       | 2 722 |
| Transfer 6,000 lb (2 721.6kg) counterweight to the boom dolly     | –4,571      | –2 074 | –1,429     | –648   | 6,000       | 2 722 |
| Transfer 12,000 lb (5 443.1kg) counterweight to the boom dolly    | –9,181      | –4 164 | –2,869     | –1 301 | 12,050      | 5 466 |
| Transfer 3,000 lb (1 360.8kg) top counterweight to the boom dolly | –2,293      | –1 040 | –716       | –325   | 3,009       | 1 365 |

| Axle  | Maximum Load @ 65 mph (105km/h)                                    |
|-------|--|
| Front | 46,400 lb (21 047kg) – aluminum disc wheels with 445/65R22.5 tires |
| Rear  | 51,200 lb (23 224kg) – aluminum disc wheels with 445/65R22.5 tires |

(1) Adjust gross vehicle weight and axle loading according to component weight. All weights are ±3%.

# General Dimensions

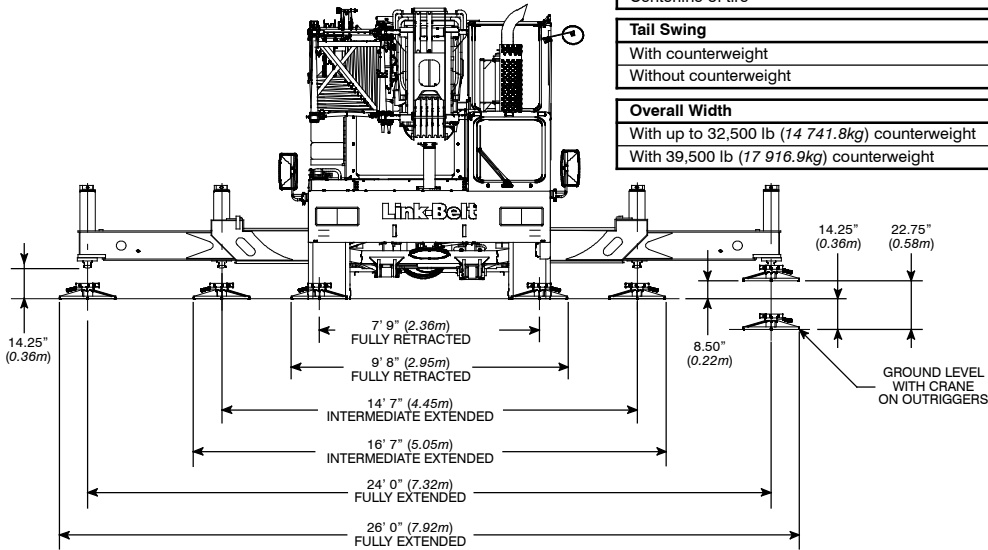


| Turning Radius – Front Wheel (8x4) Steering |         |        |
|---|---------|--------|
|   | English | Metric |
| Wall to wall over carrier                   | 48' 4"  | 14.7m  |
| Wall to wall over boom                      | 49' 2"  | 15.0m  |
| Wall to wall over boom attachment           | 51' 0"  | 15.5m  |
| Curb to curb                                | 44' 1"  | 13.4m  |
| Centerline of tire                          | 43' 4"  | 13.2m  |

| Turning Radius – All Wheel (8x8) Steering |         |        |
|---|---------|--------|
|   | English | Metric |
| Wall to wall over carrier                 | 32' 9"  | 10.0m  |
| Wall to wall over boom                    | 34' 1"  | 10.4m  |
| Wall to wall over boom attachment         | 35' 8"  | 10.9m  |
| Curb to curb                              | 28' 4"  | 8.6m   |
| Centerline of tire                        | 27' 7"  | 8.4m   |

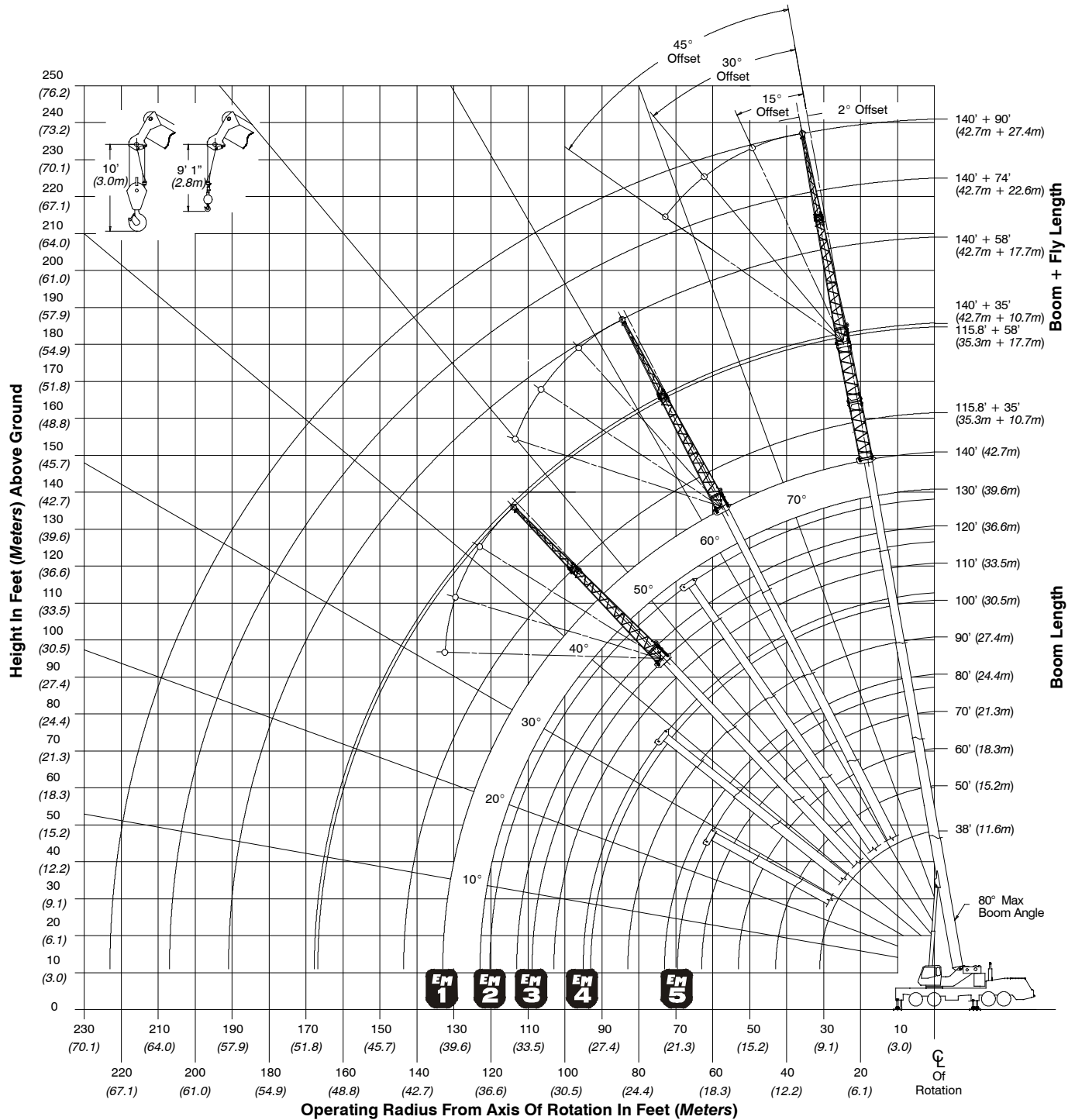
| Tail Swing            |         |        |
|-----------------------|---------|--------|
|                       | English | Metric |
| With counterweight    | 13' 8"  | 4.2m   |
| Without counterweight | 13' 1"  | 4.0m   |

| Overall Width                                   |         |        |
|---|---------|--------|
|   | English | Metric |
| With up to 32,500 lb (14 741.8kg) counterweight | 8' 6"   | 2.6m   |
| With 39,500 lb (17 916.9kg) counterweight       | 11' 0"  | 3.4m   |



Not To Scale

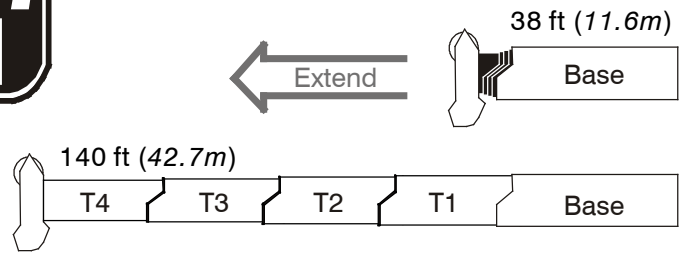
# Working Range Diagram



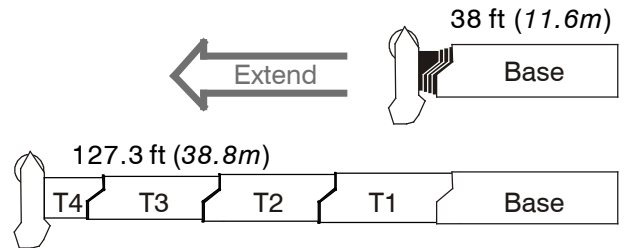


# Boom Extend Modes

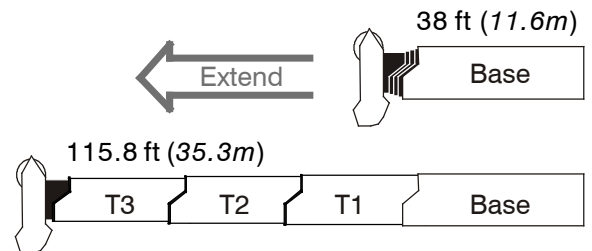
| Boom Length |      | Section Length |      |      |      |
|-------------|------|----------------|------|------|------|
| ft          | m    | T4             | T3   | T2   | T1   |
| 50          | 15.2 | 50%            |      |      |      |
| 60          | 18.3 | 91%            |      |      |      |
| 70          | 21.3 | 100%           | 31%  |      |      |
| 80          | 24.4 | 100%           | 71%  |      |      |
| 90          | 27.4 | 100%           | 100% | 11%  |      |
| 100         | 30.5 | 100%           | 100% | 49%  |      |
| 110         | 33.5 | 100%           | 100% | 88%  |      |
| 120         | 36.6 | 100%           | 100% | 100% | 25%  |
| 130         | 39.6 | 100%           | 100% | 100% | 63%  |
| 140         | 42.7 | 100%           | 100% | 100% | 100% |



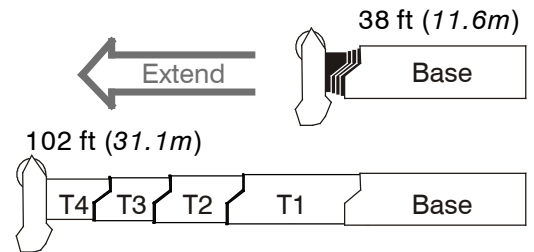
| Boom Length |      | Section Length |      |      |      |
|-------------|------|----------------|------|------|------|
| ft          | m    | T4             | T3   | T2   | T1   |
| 50          | 15.2 | 48%            | 2%   |      |      |
| 60          | 18.3 | 48%            | 42%  |      |      |
| 70          | 21.3 | 48%            | 82%  |      |      |
| 80          | 24.4 | 48%            | 100% | 21%  |      |
| 90          | 27.4 | 48%            | 100% | 60%  |      |
| 100         | 30.5 | 48%            | 100% | 98%  |      |
| 110         | 33.5 | 48%            | 100% | 100% | 35%  |
| 120         | 36.6 | 48%            | 100% | 100% | 73%  |
| 127.3       | 38.8 | 48%            | 100% | 100% | 100% |



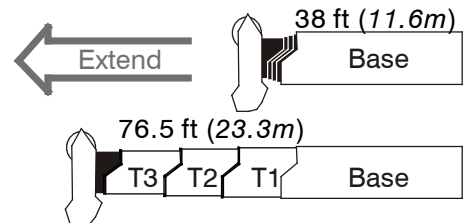
| Boom Length |      | Section Length |      |      |      |
|-------------|------|----------------|------|------|------|
| ft          | m    | T4             | T3   | T2   | T1   |
| 50          | 15.2 | 0%             | 48%  |      |      |
| 60          | 18.3 | 0%             | 88%  |      |      |
| 70          | 21.3 | 0%             | 100% | 27%  |      |
| 80          | 24.4 | 0%             | 100% | 65%  |      |
| 90          | 27.4 | 0%             | 100% | 100% | 4%   |
| 100         | 30.5 | 0%             | 100% | 100% | 41%  |
| 115.8       | 35.3 | 0%             | 100% | 100% | 100% |



| Boom Length |      | Section Length |     |     |      |
|-------------|------|----------------|-----|-----|------|
| ft          | m    | T4             | T3  | T2  | T1   |
| 50          | 15.2 | 48%            | 2%  |     |      |
| 60          | 18.3 | 48%            | 42% |     |      |
| 70          | 21.3 | 48%            | 51% | 30% |      |
| 80          | 24.4 | 48%            | 51% | 50% | 18%  |
| 90          | 27.4 | 48%            | 51% | 50% | 55%  |
| 102         | 31.1 | 48%            | 51% | 50% | 100% |



| Boom Length |      | Section Length |     |     |     |
|-------------|------|----------------|-----|-----|-----|
| ft          | m    | T4             | T3  | T2  | T1  |
| 50.7        | 15.5 | 0%             | 51% |     |     |
| 63.7        | 19.4 | 0%             | 51% | 50% |     |
| 76.5        | 23.3 | 0%             | 51% | 50% | 48% |



# Main Boom Lift Capacity Charts – Standard

| 8,500 lb Counterweight – Fully Extended Outriggers – 360° Rotation<br>(All Capacities Are Listed In Pounds) |                  |          |         |        |          |        |        |        |        |        |        |             |
|---|------------------|----------|---------|--------|----------|--------|--------|--------|--------|--------|--------|-------------|
| Radius (ft)   | Boom Length (ft) |          |         |        |          |        |        |        |        |        |        | Radius (ft) |
|   | 38               | 50       | 60      | 70     | 76.5/80  | 90     | 100    | 110    | 120    | 130    | 140    |             |
| 9   | 164,400*         |          |         |        |          |        |        |        |        |        |        | 9           |
| 10  | 154,600*         | 152,100* | 117,900 | 89,700 |          |        |        |        |        |        |        | 10          |
| 12  | 129,300*         | 131,300* | 108,800 | 85,000 | 85,100** |        |        |        |        |        |        | 12          |
| 15  | 102,500          | 104,600  | 104,900 | 78,800 | 78,400** | 57,700 |        |        |        |        |        | 15          |
| 20  | 74,700           | 77,000   | 77,400  | 70,300 | 76,500** | 56,200 | 49,100 | 42,500 |        |        |        | 20          |
| 25  | 54,700           | 57,900   | 59,400  | 60,100 | 59,700   | 55,300 | 45,800 | 42,500 | 33,700 | 29,700 |        | 25          |
| 30  | 39,600           | 43,300   | 44,400  | 44,600 | 44,300   | 43,800 | 43,200 | 38,300 | 31,200 | 29,400 | 24,400 | 30          |
| 35  |                  | 33,100   | 34,100  | 34,900 | 34,100   | 35,000 | 33,500 | 34,500 | 30,900 | 29,100 | 24,100 | 35          |
| 40  |                  | 26,100   | 27,200  | 27,900 | 28,100   | 28,000 | 28,000 | 27,500 | 28,100 | 26,900 | 24,000 | 40          |
| 45  |                  |          | 22,800  | 23,500 | 23,900   | 23,300 | 24,000 | 23,800 | 23,500 | 23,100 | 22,700 | 45          |
| 50  |                  |          | 18,900  | 19,600 | 20,000   | 20,200 | 20,100 | 19,900 | 19,600 | 19,100 | 18,800 | 50          |
| 55  |                  |          |         | 16,500 | 16,900   | 17,100 | 16,900 | 16,800 | 16,400 | 16,000 | 15,700 | 55          |
| 60  |                  |          |         | 14,000 | 14,400   | 14,600 | 14,500 | 14,300 | 14,000 | 13,600 | 13,200 | 60          |
| 65  |                  |          |         |        | 12,500   | 12,700 | 12,500 | 12,400 | 12,100 | 11,700 | 11,400 | 65          |
| 70  |                  |          |         |        | 10,800   | 11,000 | 10,900 | 10,800 | 10,400 | 10,100 | 9,700  | 70          |
| 75  |                  |          |         |        |          | 9,600  | 9,500  | 9,400  | 9,100  | 8,700  | 8,400  | 75          |
| 80  |                  |          |         |        |          | 8,400  | 8,300  | 8,200  | 7,900  | 7,500  | 7,200  | 80          |
| 85  |                  |          |         |        |          |        | 7,300  | 7,200  | 6,800  | 6,500  | 6,200  | 85          |
| 90  |                  |          |         |        |          |        | 6,300  | 6,300  | 6,000  | 5,600  | 5,300  | 90          |
| 95  |                  |          |         |        |          |        |        | 5,500  | 5,200  | 4,800  | 4,500  | 95          |
| 100   |                  |          |         |        |          |        |        | 4,800  | 4,500  | 4,100  | 3,800  | 100         |
| 105   |                  |          |         |        |          |        |        |        | 3,900  | 3,500  | 3,200  | 105         |
| 110   |                  |          |         |        |          |        |        |        | 3,300  | 3,000  | 2,700  | 110         |
| 115   |                  |          |         |        |          |        |        |        |        | 2,500  | 2,200  | 115         |
| 120   |                  |          |         |        |          |        |        |        |        | 2,000  | 1,700  | 120         |
| 125   |                  |          |         |        |          |        |        |        |        |        | 1,300  | 125         |
| 130   |                  |          |         |        |          |        |        |        |        |        | 900    | 130         |

\* Special Conditions Or Wire Rope Required  
 \*\* 76.5 EM5 mode

This information is not for crane operation. Operator must refer to the in-cab information for crane operation. Rated lifting capacities shown on fully extended outriggers do not exceed 85% of the tipping loads and on tires do not exceed 75% of the tipping loads.

| <b>8,500 lb Counterweight – On Tires – Stationary – Boom Centered Over Rear</b><br>(All Capacities Are Listed In Pounds) |                  |        |        |        |        |        |       |                |
|--|------------------|--------|--------|--------|--------|--------|-------|----------------|
| Radius<br>(ft)   | Boom Length (ft) |        |        |        |        |        |       | Radius<br>(ft) |
|  | 38               | 50     | 60     | 70     | 80     | 90     | 100   |                |
| 10   | 24,300           |        |        |        |        |        |       | 10             |
| 12   | 21,700           | 23,100 |        |        |        |        |       | 12             |
| 15   | 18,400           | 19,900 | 20,700 |        |        |        |       | 15             |
| 20   | 14,000           | 15,700 | 16,600 | 17,000 |        |        |       | 20             |
| 25   | 10,600           | 12,500 | 13,400 | 13,900 | 13,600 |        |       | 25             |
| 30   | 7,900            | 10,000 | 11,000 | 11,500 | 11,800 | 10,800 | 8,300 | 30             |
| 35   |                  | 7,900  | 9,000  | 9,500  | 9,800  | 10,000 | 8,300 | 35             |
| 40   |                  | 6,200  | 7,300  | 7,900  | 8,200  | 8,400  | 8,300 | 40             |
| 45   |                  |        | 5,800  | 6,400  | 6,700  | 6,900  | 6,900 | 45             |
| 50   |                  |        | 4,400  | 5,000  | 5,400  | 5,600  | 5,500 | 50             |
| 55   |                  |        |        | 3,900  | 4,200  | 4,400  | 4,400 | 55             |
| 60   |                  |        |        | 2,900  | 3,300  | 3,500  | 3,400 | 60             |
| 65   |                  |        |        |        | 2,500  | 2,700  | 2,700 | 65             |
| 70   |                  |        |        |        | 1,900  | 2,100  | 2,000 | 70             |
| 75   |                  |        |        |        |        | 1,500  | 1,400 | 75             |
| 80   |                  |        |        |        |        | 1,000  | 900   | 80             |

| <b>8,500 lb Counterweight – On Tires – Pick &amp; Carry (1 mph) – Boom Centered Over Rear</b><br>(All Capacities Are Listed In Pounds) |                  |        |        |       |       |       |       |                |
|--|------------------|--------|--------|-------|-------|-------|-------|----------------|
| Radius<br>(ft)   | Boom Length (ft) |        |        |       |       |       |       | Radius<br>(ft) |
|  | 38               | 50     | 60     | 70    | 80    | 90    | 100   |                |
| 10   | 13,700           |        |        |       |       |       |       | 10             |
| 12   | 11,700           | 12,700 |        |       |       |       |       | 12             |
| 15   | 9,400            | 10,900 | 11,600 |       |       |       |       | 15             |
| 20   | 6,200            | 7,900  | 8,800  | 9,200 |       |       |       | 20             |
| 25   | 3,800            | 5,700  | 6,600  | 7,100 | 7,400 |       |       | 25             |
| 30   | 1,800            | 3,900  | 4,900  | 5,400 | 5,700 | 5,800 | 5,800 | 30             |
| 35   |                  | 2,400  | 3,400  | 4,000 | 4,300 | 4,500 | 4,400 | 35             |
| 40   |                  | 1,200  | 2,300  | 2,800 | 3,200 | 3,300 | 3,300 | 40             |
| 45   |                  |        | 1,300  | 1,900 | 2,200 | 2,400 | 2,300 | 45             |
| 50   |                  |        |        | 1,000 | 1,400 | 1,600 | 1,500 | 50             |
| 55   |                  |        |        |       | 700   | 900   | 800   | 55             |

This information is not for crane operation. Operator must refer to the in-cab information for crane operation. Rated lifting capacities shown on fully extended outriggers do not exceed 85% of the tipping loads and on tires do not exceed 75% of the tipping loads.

| 11,500 lb Counterweight – Fully Extended Outriggers – 360° Rotation<br>(All Capacities Are Listed In Pounds) |                  |          |         |        |          |        |        |        |        |        |        |             |
|--|------------------|----------|---------|--------|----------|--------|--------|--------|--------|--------|--------|-------------|
| Radius (ft)  | Boom Length (ft) |          |         |        |          |        |        |        |        |        |        | Radius (ft) |
|  | 38               | 50       | 60      | 70     | 76.5/80  | 90     | 100    | 110    | 120    | 130    | 140    |             |
| 9  | 165,000*         |          |         |        |          |        |        |        |        |        |        | 9           |
| 10   | 155,400*         | 152,100* | 117,900 | 89,700 |          |        |        |        |        |        |        | 10          |
| 12   | 131,900*         | 133,900* | 108,800 | 85,000 | 85,100** |        |        |        |        |        |        | 12          |
| 15   | 104,600          | 106,700  | 106,500 | 78,800 | 78,400** | 57,700 |        |        |        |        |        | 15          |
| 20   | 76,400           | 78,600   | 79,000  | 70,300 | 76,500** | 56,200 | 49,100 | 42,500 |        |        |        | 20          |
| 25   | 57,800           | 61,000   | 61,500  | 63,000 | 62,700   | 55,300 | 45,800 | 42,500 | 33,700 | 29,700 |        | 25          |
| 30   | 42,300           | 46,000   | 47,100  | 47,300 | 47,000   | 46,500 | 45,200 | 38,300 | 31,200 | 29,400 | 24,400 | 30          |
| 35   |                  | 35,300   | 36,300  | 36,500 | 36,300   | 36,200 | 35,700 | 35,100 | 30,900 | 29,100 | 24,100 | 35          |
| 40   |                  | 27,900   | 29,000  | 29,700 | 29,900   | 29,900 | 29,800 | 29,300 | 28,800 | 28,700 | 24,000 | 40          |
| 45   |                  |          | 23,900  | 24,500 | 25,100   | 24,700 | 24,900 | 25,400 | 25,000 | 24,600 | 23,800 | 45          |
| 50   |                  |          | 20,300  | 21,100 | 21,500   | 21,400 | 21,500 | 21,400 | 21,000 | 20,600 | 20,300 | 50          |
| 55   |                  |          |         | 17,900 | 18,300   | 18,500 | 18,400 | 18,200 | 17,900 | 17,500 | 17,100 | 55          |
| 60   |                  |          |         | 15,300 | 15,700   | 15,900 | 15,700 | 15,600 | 15,300 | 14,900 | 14,500 | 60          |
| 65   |                  |          |         |        | 13,600   | 13,700 | 13,600 | 13,500 | 13,100 | 12,700 | 12,500 | 65          |
| 70   |                  |          |         |        | 11,800   | 12,100 | 11,900 | 11,800 | 11,500 | 11,100 | 10,800 | 70          |
| 75   |                  |          |         |        |          | 10,600 | 10,500 | 10,400 | 10,000 | 9,700  | 9,300  | 75          |
| 80   |                  |          |         |        |          | 9,300  | 9,200  | 9,100  | 8,800  | 8,400  | 8,100  | 80          |
| 85   |                  |          |         |        |          |        | 8,100  | 8,000  | 7,700  | 7,300  | 7,000  | 85          |
| 90   |                  |          |         |        |          |        | 7,100  | 7,100  | 6,700  | 6,400  | 6,100  | 90          |
| 95   |                  |          |         |        |          |        |        | 6,200  | 5,900  | 5,600  | 5,200  | 95          |
| 100  |                  |          |         |        |          |        |        | 5,500  | 5,200  | 4,800  | 4,500  | 100         |
| 105  |                  |          |         |        |          |        |        |        | 4,500  | 4,200  | 3,900  | 105         |
| 110  |                  |          |         |        |          |        |        |        | 3,900  | 3,600  | 3,300  | 110         |
| 115  |                  |          |         |        |          |        |        |        |        | 3,100  | 2,800  | 115         |
| 120  |                  |          |         |        |          |        |        |        |        | 2,600  | 2,300  | 120         |
| 125  |                  |          |         |        |          |        |        |        |        |        | 1,800  | 125         |
| 130  |                  |          |         |        |          |        |        |        |        |        | 1,400  | 130         |

\* Special Conditions Or Wire Rope Required  
 \*\* 76.5 EM5 mode

This information is not for crane operation. Operator must refer to the in-cab information for crane operation. Rated lifting capacities shown on fully extended outriggers do not exceed 85% of the tipping loads and on tires do not exceed 75% of the tipping loads.

| <b>11,500 lb Counterweight – On Tires – Stationary – Boom Centered Over Rear</b><br>(All Capacities Are Listed In Pounds) |                  |        |        |        |        |        |       |             |
|---|------------------|--------|--------|--------|--------|--------|-------|-------------|
| Radius (ft)   | Boom Length (ft) |        |        |        |        |        |       | Radius (ft) |
|   | 38               | 50     | 60     | 70     | 80     | 90     | 100   |             |
| 10  | 23,700           |        |        |        |        |        |       | 10          |
| 12  | 21,200           | 22,500 |        |        |        |        |       | 12          |
| 15  | 17,900           | 19,400 | 20,200 |        |        |        |       | 15          |
| 20  | 13,600           | 15,300 | 16,200 | 16,600 |        |        |       | 20          |
| 25  | 10,300           | 12,200 | 13,100 | 13,500 | 13,800 |        |       | 25          |
| 30  | 7,600            | 9,700  | 10,700 | 11,200 | 11,500 | 11,700 | 9,400 | 30          |
| 35  |                  | 7,700  | 8,700  | 9,200  | 9,600  | 9,700  | 9,400 | 35          |
| 40  |                  | 6,000  | 7,100  | 7,600  | 8,000  | 8,100  | 8,100 | 40          |
| 45  |                  |        | 5,700  | 6,300  | 6,600  | 6,800  | 6,800 | 45          |
| 50  |                  |        | 4,600  | 5,100  | 5,500  | 5,700  | 5,600 | 50          |
| 55  |                  |        |        | 4,100  | 4,500  | 4,700  | 4,600 | 55          |
| 60  |                  |        |        | 3,300  | 3,700  | 3,800  | 3,800 | 60          |
| 65  |                  |        |        |        | 2,900  | 3,100  | 3,100 | 65          |
| 70  |                  |        |        |        | 2,300  | 2,400  | 2,400 | 70          |
| 75  |                  |        |        |        |        | 1,900  | 1,800 | 75          |
| 80  |                  |        |        |        |        | 1,300  | 1,300 | 80          |

| <b>11,500 lb Counterweight – On Tires – Pick &amp; Carry (1 mph) – Boom Centered Over Rear</b><br>(All Capacities Are Listed In Pounds) |                  |        |        |       |       |       |       |             |
|---|------------------|--------|--------|-------|-------|-------|-------|-------------|
| Radius (ft)   | Boom Length (ft) |        |        |       |       |       |       | Radius (ft) |
|   | 38               | 50     | 60     | 70    | 80    | 90    | 100   |             |
| 10  | 13,200           |        |        |       |       |       |       | 10          |
| 12  | 11,500           | 12,900 |        |       |       |       |       | 12          |
| 15  | 8,900            | 10,400 | 11,900 |       |       |       |       | 15          |
| 20  | 5,800            | 7,600  | 8,400  | 8,800 |       |       |       | 20          |
| 25  | 3,400            | 5,300  | 6,300  | 6,700 | 7,000 |       |       | 25          |
| 30  | 1,500            | 3,600  | 4,600  | 5,100 | 5,400 | 5,500 | 5,500 | 30          |
| 35  |                  | 2,100  | 3,200  | 3,700 | 4,000 | 4,200 | 4,100 | 35          |
| 40  |                  | 900    | 2,000  | 2,600 | 2,900 | 3,100 | 3,000 | 40          |
| 45  |                  |        | 1,100  | 1,600 | 2,000 | 2,200 | 2,100 | 45          |
| 50  |                  |        |        | 800   | 1,200 | 1,400 | 1,300 | 50          |

This information is not for crane operation. Operator must refer to the in-cab information for crane operation. Rated lifting capacities shown on fully extended outriggers do not exceed 85% of the tipping loads and on tires do not exceed 75% of the tipping loads.

| <b>14,500 lb Counterweight – On Tires – Stationary – Boom Centered Over Rear</b><br>(All Capacities Are Listed In Pounds) |                  |        |        |        |        |        |       |             |
|---|------------------|--------|--------|--------|--------|--------|-------|-------------|
| Radius (ft)   | Boom Length (ft) |        |        |        |        |        |       | Radius (ft) |
|   | 38               | 50     | 60     | 70     | 80     | 90     | 100   |             |
| 10  | 23,000           |        |        |        |        |        |       | 10          |
| 12  | 20,700           | 21,900 |        |        |        |        |       | 12          |
| 15  | 17,500           | 19,000 | 19,700 |        |        |        |       | 15          |
| 20  | 13,200           | 14,900 | 15,800 | 16,200 |        |        |       | 20          |
| 25  | 10,000           | 11,900 | 12,800 | 13,200 | 13,500 |        |       | 25          |
| 30  | 7,300            | 9,400  | 10,400 | 10,900 | 11,200 | 11,400 | 9,400 | 30          |
| 35  |                  | 7,400  | 8,500  | 9,000  | 9,300  | 9,500  | 9,400 | 35          |
| 40  |                  | 5,800  | 6,900  | 7,400  | 7,700  | 7,900  | 7,900 | 40          |
| 45  |                  |        | 5,500  | 6,100  | 6,400  | 6,600  | 6,500 | 45          |
| 50  |                  |        | 4,400  | 4,900  | 5,300  | 5,500  | 5,400 | 50          |
| 55  |                  |        |        | 4,000  | 4,300  | 4,500  | 4,500 | 55          |
| 60  |                  |        |        | 3,100  | 3,500  | 3,700  | 3,600 | 60          |
| 65  |                  |        |        |        | 2,700  | 2,900  | 2,900 | 65          |
| 70  |                  |        |        |        | 2,100  | 2,300  | 2,200 | 70          |
| 75  |                  |        |        |        |        | 1,700  | 1,700 | 75          |
| 80  |                  |        |        |        |        | 1,200  | 1,100 | 80          |

| <b>14,500 lb Counterweight – On Tires – Pick &amp; Carry (1 mph) – Boom Centered Over Rear</b><br>(All Capacities Are Listed In Pounds) |                  |        |        |       |       |       |       |             |
|---|------------------|--------|--------|-------|-------|-------|-------|-------------|
| Radius (ft)   | Boom Length (ft) |        |        |       |       |       |       | Radius (ft) |
|   | 38               | 50     | 60     | 70    | 80    | 90    | 100   |             |
| 10  | 12,700           |        |        |       |       |       |       | 10          |
| 12  | 10,900           | 12,400 |        |       |       |       |       | 12          |
| 15  | 8,600            | 10,200 | 11,000 |       |       |       |       | 15          |
| 20  | 5,400            | 7,100  | 8,500  | 8,800 |       |       |       | 20          |
| 25  | 3,100            | 5,000  | 5,900  | 6,300 | 6,600 |       |       | 25          |
| 30  | 1,200            | 3,300  | 4,300  | 4,800 | 5,100 | 5,200 | 5,200 | 30          |
| 35  |                  | 1,900  | 2,900  | 3,400 | 3,800 | 3,900 | 3,900 | 35          |
| 40  |                  |        | 1,800  | 2,300 | 2,700 | 2,800 | 2,800 | 40          |
| 45  |                  |        | 900    | 1,400 | 1,800 | 1,900 | 1,900 | 45          |
| 50  |                  |        |        |       | 1,000 | 1,200 | 1,100 | 50          |

This information is not for crane operation. Operator must refer to the in-cab information for crane operation. Rated lifting capacities shown on fully extended outriggers do not exceed 85% of the tipping loads and on tires do not exceed 75% of the tipping loads.

# Main Boom Lift Capacity Charts – Optional

| 32,500 lb Counterweight – Fully Extended Outriggers – 360° Rotation<br>(All Capacities Are Listed In Pounds) |                  |          |         |        |          |        |        |        |        |        |        |                |
|--|------------------|----------|---------|--------|----------|--------|--------|--------|--------|--------|--------|----------------|
| Radius<br>(ft)   | Boom Length (ft) |          |         |        |          |        |        |        |        |        |        | Radius<br>(ft) |
|  | 38               | 50       | 60      | 70     | 76.5/80  | 90     | 100    | 110    | 120    | 130    | 140    |                |
| 8  | 180,000*         |          |         |        |          |        |        |        |        |        |        | 8              |
| 9  | 167,100*         |          |         |        |          |        |        |        |        |        |        | 9              |
| 10   | 158,300*         | 152,100* | 117,900 | 89,700 |          |        |        |        |        |        |        | 10             |
| 12   | 142,700*         | 138,700* | 108,800 | 85,000 | 85,100** |        |        |        |        |        |        | 12             |
| 15   | 119,300          | 121,400  | 106,500 | 78,800 | 78,400** | 57,700 |        |        |        |        |        | 15             |
| 20   | 87,600           | 89,800   | 90,200  | 70,300 | 76,500** | 56,200 | 49,100 | 42,500 |        |        |        | 20             |
| 25   | 68,000           | 70,300   | 70,800  | 63,600 | 70,300** | 55,300 | 45,800 | 42,500 | 33,700 | 29,700 |        | 25             |
| 30   | 54,700           | 57,100   | 57,600  | 58,100 | 58,700   | 54,500 | 45,200 | 38,300 | 31,200 | 29,400 | 24,400 | 30             |
| 35   |                  | 47,500   | 49,100  | 49,400 | 49,200   | 48,800 | 42,500 | 35,500 | 30,900 | 29,100 | 24,100 | 35             |
| 40   |                  | 40,500   | 41,600  | 41,800 | 41,600   | 41,100 | 38,200 | 33,400 | 30,600 | 28,800 | 24,000 | 40             |
| 45   |                  |          | 34,600  | 34,900 | 34,600   | 34,200 | 33,700 | 30,300 | 29,900 | 28,600 | 23,800 | 45             |
| 50   |                  |          | 29,300  | 29,600 | 29,400   | 28,900 | 28,800 | 27,900 | 27,800 | 26,800 | 23,700 | 50             |
| 55   |                  |          |         | 25,500 | 25,300   | 26,000 | 24,800 | 24,700 | 25,300 | 24,800 | 23,600 | 55             |
| 60   |                  |          |         | 22,500 | 22,400   | 22,800 | 21,500 | 22,300 | 22,000 | 21,900 | 22,100 | 60             |
| 65   |                  |          |         |        | 20,000   | 20,100 | 20,000 | 19,600 | 19,300 | 20,000 | 19,600 | 65             |
| 70   |                  |          |         |        | 17,700   | 17,800 | 17,800 | 17,700 | 18,100 | 17,700 | 17,400 | 70             |
| 75   |                  |          |         |        |          | 15,800 | 16,500 | 16,500 | 16,200 | 15,800 | 15,500 | 75             |
| 80   |                  |          |         |        |          | 14,200 | 14,900 | 14,800 | 14,500 | 14,100 | 13,800 | 80             |
| 85   |                  |          |         |        |          |        | 13,500 | 13,400 | 13,100 | 12,700 | 12,500 | 85             |
| 90   |                  |          |         |        |          |        | 12,200 | 12,200 | 11,900 | 11,600 | 11,300 | 90             |
| 95   |                  |          |         |        |          |        |        | 11,100 | 10,800 | 10,500 | 10,200 | 95             |
| 100  |                  |          |         |        |          |        |        | 10,100 | 9,800  | 9,500  | 9,200  | 100            |
| 105  |                  |          |         |        |          |        |        |        | 8,900  | 8,600  | 8,300  | 105            |
| 110  |                  |          |         |        |          |        |        |        | 8,100  | 7,800  | 7,500  | 110            |
| 115  |                  |          |         |        |          |        |        |        |        | 7,100  | 6,800  | 115            |
| 120  |                  |          |         |        |          |        |        |        |        | 6,400  | 6,100  | 120            |
| 125  |                  |          |         |        |          |        |        |        |        |        | 5,500  | 125            |
| 130  |                  |          |         |        |          |        |        |        |        |        | 5,000  | 130            |

\* Special Conditions Or Wire Rope Required

\*\* 76.5 EMS mode

This information is not for crane operation. Operator must refer to the in-cab information for crane operation. Rated lifting capacities shown on fully extended outriggers do not exceed 85% of the tipping loads and on tires do not exceed 75% of the tipping loads.

| 39,500 lb Counterweight – Fully Extended Outriggers – 360° Rotation<br>(All Capacities Are Listed In Pounds) |                  |          |         |        |          |        |        |        |        |        |        |             |
|--|------------------|----------|---------|--------|----------|--------|--------|--------|--------|--------|--------|-------------|
| Radius (ft)  | Boom Length (ft) |          |         |        |          |        |        |        |        |        |        | Radius (ft) |
|  | 38               | 50       | 60      | 70     | 76.5/80  | 90     | 100    | 110    | 120    | 130    | 140    |             |
| 8  | 180,000*         |          |         |        |          |        |        |        |        |        |        | 8           |
| 9  | 167,600*         |          |         |        |          |        |        |        |        |        |        | 9           |
| 10   | 158,800*         | 152,100* | 117,900 | 89,700 |          |        |        |        |        |        |        | 10          |
| 12   | 143,600*         | 138,700* | 108,800 | 85,000 | 85,100** |        |        |        |        |        |        | 12          |
| 15   | 123,700          | 122,600  | 106,500 | 78,800 | 78,400** | 57,700 |        |        |        |        |        | 15          |
| 20   | 91,300           | 93,500   | 93,800  | 70,300 | 76,500** | 56,200 | 49,100 | 42,500 |        |        |        | 20          |
| 25   | 71,000           | 73,300   | 73,800  | 63,600 | 73,300** | 55,300 | 45,800 | 42,500 | 33,700 | 29,700 |        | 25          |
| 30   | 57,200           | 59,600   | 60,100  | 58,100 | 61,100   | 54,500 | 45,200 | 38,300 | 31,200 | 29,400 | 24,400 | 30          |
| 35   |                  | 49,700   | 50,300  | 51,400 | 51,200   | 50,900 | 42,500 | 35,500 | 30,900 | 29,100 | 24,100 | 35          |
| 40   |                  | 42,200   | 43,700  | 44,000 | 43,800   | 43,400 | 38,200 | 33,400 | 30,600 | 28,800 | 24,000 | 40          |
| 45   |                  |          | 37,900  | 38,200 | 38,100   | 37,700 | 34,600 | 30,300 | 29,900 | 28,600 | 23,800 | 45          |
| 50   |                  |          | 32,400  | 32,700 | 32,500   | 32,000 | 31,500 | 27,900 | 27,800 | 26,800 | 23,700 | 50          |
| 55   |                  |          |         | 28,200 | 28,000   | 27,600 | 27,300 | 25,600 | 25,800 | 24,800 | 23,600 | 55          |
| 60   |                  |          |         | 24,600 | 24,500   | 24,100 | 24,100 | 23,600 | 24,200 | 23,000 | 22,100 | 60          |
| 65   |                  |          |         |        | 21,500   | 22,300 | 21,100 | 21,400 | 21,600 | 21,300 | 20,600 | 65          |
| 70   |                  |          |         |        | 19,700   | 19,900 | 18,700 | 19,500 | 19,100 | 19,200 | 19,200 | 70          |
| 75   |                  |          |         |        |          | 17,700 | 17,500 | 17,400 | 17,000 | 17,700 | 17,400 | 75          |
| 80   |                  |          |         |        |          | 16,000 | 16,000 | 15,600 | 15,900 | 15,900 | 15,600 | 80          |
| 85   |                  |          |         |        |          |        | 14,600 | 14,600 | 14,800 | 14,400 | 14,100 | 85          |
| 90   |                  |          |         |        |          |        | 13,800 | 13,700 | 13,400 | 13,000 | 12,700 | 90          |
| 95   |                  |          |         |        |          |        |        | 12,500 | 12,300 | 11,900 | 11,600 | 95          |
| 100  |                  |          |         |        |          |        |        | 11,500 | 11,200 | 10,900 | 10,600 | 100         |
| 105  |                  |          |         |        |          |        |        |        | 10,200 | 9,900  | 9,600  | 105         |
| 110  |                  |          |         |        |          |        |        |        | 9,400  | 9,000  | 8,800  | 110         |
| 115  |                  |          |         |        |          |        |        |        |        | 8,300  | 8,000  | 115         |
| 120  |                  |          |         |        |          |        |        |        |        | 7,500  | 7,300  | 120         |
| 125  |                  |          |         |        |          |        |        |        |        |        | 6,600  | 125         |
| 130  |                  |          |         |        |          |        |        |        |        |        | 6,000  | 130         |

\* Special Conditions Or Wire Rope Required  
 \*\* 76.5 EM5 mode

This information is not for crane operation. Operator must refer to the in-cab information for crane operation. Rated lifting capacities shown on fully extended outriggers do not exceed 85% of the tipping loads and on tires do not exceed 75% of the tipping loads.



## Fly Attachment Lift Capacity Charts – Optional

| 8,500 lb Counterweight – Fully Extended Outriggers – 360° Rotation<br>(All Capacities Are Listed In Pounds) |                 |       |   |                 |       |
|---|-----------------|-------|---|-----------------|-------|
| 140 ft Main Boom Length<br>2° Fly Offset  |                 |       | 140 ft Main Boom Length<br>15° Fly Offset |                 |       |
| Radius<br>(ft)  | Fly Length (ft) |       | Radius<br>(ft)                            | Fly Length (ft) |       |
|   | 35              | 58    |   | 35              | 58    |
| 35  | 12,100          |       | 35  |                 |       |
| 40  | 12,100          |       | 40  |                 |       |
| 45  | 12,100          | 8,500 | 45  | 11,500          |       |
| 50  | 12,100          | 8,400 | 50  | 11,400          |       |
| 55  | 12,100          | 8,300 | 55  | 11,200          |       |
| 60  | 12,100          | 8,100 | 60  | 11,000          | 7,200 |
| 65  | 11,900          | 8,000 | 65  | 10,800          | 7,000 |
| 70  | 10,400          | 7,800 | 70  | 10,600          | 6,800 |
| 75  | 9,000           | 7,700 | 75  | 9,700           | 6,700 |
| 80  | 7,800           | 7,500 | 80  | 8,500           | 6,500 |
| 85  | 6,800           | 7,300 | 85  | 7,400           | 6,300 |
| 90  | 5,900           | 6,400 | 90  | 6,400           | 6,200 |
| 95  | 5,100           | 5,600 | 95  | 5,600           | 6,000 |
| 100   | 4,400           | 4,900 | 100                                       | 4,800           | 5,600 |
| 105   | 3,700           | 4,200 | 105                                       | 4,200           | 4,900 |
| 110   | 3,200           | 3,600 | 110                                       | 3,600           | 4,300 |
| 115   | 2,700           | 3,100 | 115                                       | 3,000           | 3,700 |
| 120   | 2,200           | 2,600 | 120                                       | 2,500           | 3,200 |
| 125   | 1,800           | 2,200 | 125                                       | 2,100           | 2,700 |
| 130   | 1,400           | 1,800 | 130                                       | 1,700           | 2,300 |
| 135   | 1,100           | 1,500 | 135                                       | 1,300           | 1,900 |
| 140   |                 |       | 140                                       | 900             | 1,500 |
| 145   |                 |       | 145                                       |                 | 1,200 |

This information is not for crane operation. Operator must refer to the in-cab information for crane operation. Rated lifting capacities shown on fully extended outriggers do not exceed 85% of the tipping loads and on tires do not exceed 75% of the tipping loads.

| 8,500 lb Counterweight – Fully Extended Outriggers – 360° Rotation<br>(All Capacities Are Listed In Pounds) |                 |       |   |                 |       |
|---|-----------------|-------|---|-----------------|-------|
| 140 ft Main Boom Length<br>30° Fly Offset   |                 |       | 140 ft Main Boom Length<br>45° Fly Offset |                 |       |
| Radius<br>(ft)  | Fly Length (ft) |       | Radius<br>(ft)                            | Fly Length (ft) |       |
|   | 35              | 58    |   | 35              | 58    |
| 35  |                 |       | 35  |                 |       |
| 40  |                 |       | 40  |                 |       |
| 45  |                 |       | 45  |                 |       |
| 50  |                 |       | 50  |                 |       |
| 55  | 10,000          |       | 55  |                 |       |
| 60  | 9,800           |       | 60  |                 |       |
| 65  | 9,700           |       | 65  | 8,800           |       |
| 70  | 9,500           |       | 70  | 8,800           |       |
| 75  | 9,400           | 5,700 | 75  | 8,700           |       |
| 80  | 9,100           | 5,600 | 80  | 8,600           |       |
| 85  | 8,000           | 5,500 | 85  | 8,400           | 4,900 |
| 90  | 7,000           | 5,400 | 90  | 7,400           | 4,900 |
| 95  | 6,100           | 5,300 | 95  | 6,400           | 4,800 |
| 100   | 5,300           | 5,200 | 100                                       | 5,600           | 4,800 |
| 105   | 4,600           | 5,100 | 105                                       | 4,800           | 4,700 |
| 110   | 3,900           | 4,900 | 110                                       | 4,200           | 4,700 |
| 115   | 3,300           | 4,300 | 115                                       | 3,500           | 4,700 |
| 120   | 2,800           | 3,700 | 120                                       | 3,000           | 4,100 |
| 125   | 2,300           | 3,200 | 125                                       | 2,500           | 3,600 |
| 130   | 1,900           | 2,700 | 130                                       | 2,000           | 3,100 |
| 135   | 1,500           | 2,300 | 135                                       | 1,500           | 2,600 |
| 140   | 1,100           | 1,900 | 140                                       |                 | 2,100 |
| 145   |                 | 1,500 | 145                                       |                 | 1,700 |
| 150   |                 | 1,200 | 150                                       |                 | 1,300 |
| 155   |                 |       | 155                                       |                 | 1,000 |

This information is not for crane operation. Operator must refer to the in-cab information for crane operation. Rated lifting capacities shown on fully extended outriggers do not exceed 85% of the tipping loads and on tires do not exceed 75% of the tipping loads.

| 11,500 lb Counterweight – Fully Extended Outriggers – 360° Rotation<br>(All Capacities Are Listed In Pounds) |                 |       |       |   |                 |       |       |
|--|-----------------|-------|-------|---|-----------------|-------|-------|
| 140 ft Main Boom Length<br>2° Fly Offset   |                 |       |       | 140 ft Main Boom Length<br>15° Fly Offset |                 |       |       |
| Radius<br>(ft)   | Fly Length (ft) |       |       | Radius<br>(ft)                            | Fly Length (ft) |       |       |
|  | 35              | 58    | 74    |   | 35              | 58    | 74    |
| 35   | 12,100          |       |       | 35  |                 |       |       |
| 40   | 12,100          |       |       | 40  |                 |       |       |
| 45   | 12,100          | 8,500 |       | 45  | 11,500          |       |       |
| 50   | 12,100          | 8,400 | 6,600 | 50  | 11,400          |       |       |
| 55   | 12,100          | 8,300 | 6,600 | 55  | 11,200          |       |       |
| 60   | 12,100          | 8,100 | 6,600 | 60  | 11,000          | 7,200 |       |
| 65   | 11,900          | 8,000 | 6,600 | 65  | 10,800          | 7,000 | 6,300 |
| 70   | 11,500          | 7,800 | 6,600 | 70  | 10,600          | 6,800 | 6,000 |
| 75   | 10,000          | 7,700 | 6,600 | 75  | 10,400          | 6,700 | 5,700 |
| 80   | 8,700           | 7,500 | 6,400 | 80  | 9,400           | 6,500 | 5,400 |
| 85   | 7,600           | 7,300 | 6,000 | 85  | 8,200           | 6,300 | 5,100 |
| 90   | 6,700           | 7,100 | 5,700 | 90  | 7,200           | 6,200 | 4,900 |
| 95   | 5,800           | 6,300 | 5,400 | 95  | 6,300           | 6,000 | 4,600 |
| 100  | 5,100           | 5,500 | 5,100 | 100                                       | 5,500           | 5,900 | 4,400 |
| 105  | 4,400           | 4,900 | 4,800 | 105                                       | 4,800           | 5,600 | 4,200 |
| 110  | 3,800           | 4,300 | 4,200 | 110                                       | 4,200           | 4,900 | 4,100 |
| 115  | 3,300           | 3,700 | 3,600 | 115                                       | 3,600           | 4,300 | 3,900 |
| 120  | 2,800           | 3,200 | 3,100 | 120                                       | 3,100           | 3,800 | 3,600 |
| 125  | 2,300           | 2,800 | 2,700 | 125                                       | 2,600           | 3,300 | 3,100 |
| 130  | 1,900           | 2,300 | 2,200 | 130                                       | 2,200           | 2,800 | 2,700 |
| 135  | 1,600           | 2,000 | 1,900 | 135                                       | 1,800           | 2,400 | 2,300 |
| 140  | 1,200           | 1,600 | 1,500 | 140                                       | 1,400           | 2,000 | 1,900 |
| 145  | 900             | 1,300 | 1,200 | 145                                       | 1,100           | 1,700 | 1,500 |
|  |                 |       |       | 150                                       |                 | 1,300 | 1,200 |
|  |                 |       |       | 155                                       |                 | 1,000 |       |

This information is not for crane operation. Operator must refer to the in-cab information for crane operation. Rated lifting capacities shown on fully extended outriggers do not exceed 85% of the tipping loads and on tires do not exceed 75% of the tipping loads.

| 11,500 lb Counterweight – Fully Extended Outriggers – 360° Rotation<br>(All Capacities Are Listed In Pounds) |                 |       |       |   |                 |       |       |
|--|-----------------|-------|-------|---|-----------------|-------|-------|
| 140 ft Main Boom Length<br>30° Fly Offset  |                 |       |       | 140 ft Main Boom Length<br>45° Fly Offset |                 |       |       |
| Radius<br>(ft)   | Fly Length (ft) |       |       | Radius<br>(ft)                            | Fly Length (ft) |       |       |
|  | 35              | 58    | 74    |   | 35              | 58    | 74    |
| 35   |                 |       |       | 35  |                 |       |       |
| 40   |                 |       |       | 40  |                 |       |       |
| 45   |                 |       |       | 45  |                 |       |       |
| 50   |                 |       |       | 50  |                 |       |       |
| 55   | 10,000          |       |       | 55  |                 |       |       |
| 60   | 9,800           |       |       | 60  |                 |       |       |
| 65   | 9,700           |       |       | 65  | 8,800           |       |       |
| 70   | 9,500           |       |       | 70  | 8,800           |       |       |
| 75   | 9,400           | 5,700 | 4,600 | 75  | 8,700           |       |       |
| 80   | 9,200           | 5,600 | 4,400 | 80  | 8,600           |       |       |
| 85   | 8,800           | 5,500 | 4,200 | 85  | 8,600           | 4,900 | 3,700 |
| 90   | 7,700           | 5,400 | 4,100 | 90  | 8,100           | 4,900 | 3,500 |
| 95   | 6,800           | 5,300 | 3,900 | 95  | 7,200           | 4,800 | 3,400 |
| 100  | 6,000           | 5,200 | 3,700 | 100                                       | 6,300           | 4,800 | 3,300 |
| 105  | 5,200           | 5,100 | 3,600 | 105                                       | 5,500           | 4,700 | 3,200 |
| 110  | 4,500           | 5,000 | 3,500 | 110                                       | 4,800           | 4,700 | 3,100 |
| 115  | 3,900           | 4,900 | 3,300 | 115                                       | 4,100           | 4,700 | 3,000 |
| 120  | 3,400           | 4,300 | 3,200 | 120                                       | 3,500           | 4,600 | 2,900 |
| 125  | 2,900           | 3,800 | 3,100 | 125                                       | 3,000           | 4,100 | 2,800 |
| 130  | 2,400           | 3,300 | 3,000 | 130                                       | 2,500           | 3,600 | 2,700 |
| 135  | 2,000           | 2,800 | 2,700 | 135                                       | 2,000           | 3,100 | 2,700 |
| 140  | 1,600           | 2,400 | 2,300 | 140                                       |                 | 2,600 | 2,600 |
| 145  | 1,200           | 2,000 | 1,900 | 145                                       |                 | 2,200 | 2,200 |
| 150  | 900             | 1,600 | 1,600 | 150                                       |                 | 1,800 | 1,800 |
| 155  |                 | 1,300 | 1,200 | 155                                       |                 | 1,400 | 1,400 |
| 160  |                 | 1,000 | 900   | 160                                       |                 | 1,000 | 1,100 |
|  |                 |       |       | 165                                       |                 |       | 800   |

This information is not for crane operation. Operator must refer to the in-cab information for crane operation. Rated lifting capacities shown on fully extended outriggers do not exceed 85% of the tipping loads and on tires do not exceed 75% of the tipping loads.

| 32,500 lb Counterweight – Fully Extended Outriggers – 360° Rotation<br>(All Capacities Are Listed In Pounds) |                 |       |       |       |   |                 |       |       |       |
|--|-----------------|-------|-------|-------|---|-----------------|-------|-------|-------|
| 140 ft Main Boom Length<br>2° Fly Offset   |                 |       |       |       | 140 ft Main Boom Length<br>15° Fly Offset |                 |       |       |       |
| Radius<br>(ft)   | Fly Length (ft) |       |       |       | Radius<br>(ft)                            | Fly Length (ft) |       |       |       |
|  | 35              | 58    | 74    | 90    |   | 35              | 58    | 74    | 90    |
| 35   | 12,100          |       |       |       | 35  |                 |       |       |       |
| 40   | 12,100          |       |       |       | 40  |                 |       |       |       |
| 45   | 12,100          | 8,500 |       |       | 45  | 11,500          |       |       |       |
| 50   | 12,100          | 8,400 | 6,600 |       | 50  | 11,400          |       |       |       |
| 55   | 12,100          | 8,300 | 6,600 | 5,200 | 55  | 11,200          |       |       |       |
| 60   | 12,100          | 8,100 | 6,600 | 5,200 | 60  | 11,000          | 7,200 |       |       |
| 65   | 11,900          | 8,000 | 6,600 | 5,200 | 65  | 10,800          | 7,000 | 6,300 |       |
| 70   | 11,700          | 7,800 | 6,600 | 5,200 | 70  | 10,600          | 6,800 | 6,000 | 4,800 |
| 75   | 11,500          | 7,700 | 6,600 | 5,100 | 75  | 10,400          | 6,700 | 5,700 | 4,500 |
| 80   | 11,300          | 7,500 | 6,400 | 4,800 | 80  | 10,200          | 6,500 | 5,400 | 4,200 |
| 85   | 11,000          | 7,300 | 6,000 | 4,500 | 85  | 10,000          | 6,300 | 5,100 | 4,000 |
| 90   | 10,500          | 7,100 | 5,700 | 4,200 | 90  | 9,700           | 6,200 | 4,900 | 3,700 |
| 95   | 10,100          | 6,900 | 5,400 | 4,000 | 95  | 9,400           | 6,000 | 4,600 | 3,500 |
| 100  | 9,700           | 6,700 | 5,100 | 3,700 | 100                                       | 9,000           | 5,900 | 4,400 | 3,300 |
| 105  | 8,800           | 6,500 | 4,900 | 3,500 | 105                                       | 8,700           | 5,700 | 4,200 | 3,100 |
| 110  | 8,000           | 6,300 | 4,700 | 3,300 | 110                                       | 8,400           | 5,600 | 4,100 | 3,000 |
| 115  | 7,300           | 6,000 | 4,500 | 3,200 | 115                                       | 7,600           | 5,500 | 3,900 | 2,800 |
| 120  | 6,600           | 5,800 | 4,300 | 3,000 | 120                                       | 6,900           | 5,300 | 3,700 | 2,700 |
| 125  | 6,000           | 5,600 | 4,100 | 2,800 | 125                                       | 6,300           | 5,100 | 3,600 | 2,500 |
| 130  | 5,500           | 5,300 | 3,900 | 2,700 | 130                                       | 5,700           | 4,900 | 3,500 | 2,400 |
| 135  | 5,000           | 5,200 | 3,800 | 2,500 | 135                                       | 5,200           | 4,700 | 3,300 | 2,300 |
| 140  | 4,500           | 4,900 | 3,600 | 2,400 | 140                                       | 4,700           | 4,600 | 3,200 | 2,200 |
| 145  | 4,100           | 4,400 | 3,500 | 2,300 | 145                                       | 4,200           | 4,400 | 3,100 | 2,100 |
| 150  | 3,700           | 4,000 | 3,400 | 2,200 | 150                                       | 3,800           | 4,300 | 3,000 | 2,000 |
| 155  | 3,300           | 3,700 | 3,200 | 2,100 | 155                                       | 3,400           | 4,000 | 2,900 | 1,900 |
| 160  | 2,900           | 3,300 | 3,100 | 2,000 | 160                                       | 3,000           | 3,600 | 2,900 | 1,800 |
| 165  | 2,500           | 2,900 | 2,700 | 1,900 | 165                                       | 2,600           | 3,200 | 2,800 | 1,700 |
| 170  |                 | 2,600 | 2,400 | 1,800 | 170                                       |                 | 2,800 | 2,700 | 1,600 |
| 175  |                 | 2,300 | 2,100 | 1,800 | 175                                       |                 | 2,500 | 2,300 | 1,600 |
| 180  |                 | 2,000 | 1,800 | 1,700 | 180                                       |                 | 2,100 | 2,000 | 1,500 |
| 185  |                 | 1,700 | 1,500 | 1,400 | 185                                       |                 | 1,800 | 1,700 | 1,500 |
| 190  |                 |       | 1,200 | 1,200 | 190                                       |                 |       | 1,400 | 1,400 |
| 195  |                 |       | 1,000 | 900   | 195                                       |                 |       | 1,100 | 1,100 |
| 200  |                 |       | 800   |       | 200                                       |                 |       | 800   | 900   |

This information is not for crane operation. Operator must refer to the in-cab information for crane operation. Rated lifting capacities shown on fully extended outriggers do not exceed 85% of the tipping loads and on tires do not exceed 75% of the tipping loads.

| 32,500 lb Counterweight – Fully Extended Outriggers – 360° Rotation<br>(All Capacities Are Listed In Pounds) |                 |       |       |       |   |                 |       |       |       |
|--|-----------------|-------|-------|-------|---|-----------------|-------|-------|-------|
| 140 ft Main Boom Length<br>30° Fly Offset  |                 |       |       |       | 140 ft Main Boom Length<br>45° Fly Offset |                 |       |       |       |
| Radius<br>(ft)   | Fly Length (ft) |       |       |       | Radius<br>(ft)                            | Fly Length (ft) |       |       |       |
|  | 35              | 58    | 74    | 90    |   | 35              | 58    | 74    | 90    |
| 35   |                 |       |       |       | 35  |                 |       |       |       |
| 40   |                 |       |       |       | 40  |                 |       |       |       |
| 45   |                 |       |       |       | 45  |                 |       |       |       |
| 50   |                 |       |       |       | 50  |                 |       |       |       |
| 55   | 10,000          |       |       |       | 55  |                 |       |       |       |
| 60   | 9,800           |       |       |       | 60  |                 |       |       |       |
| 65   | 9,700           |       |       |       | 65  | 8,800           |       |       |       |
| 70   | 9,500           |       |       |       | 70  | 8,800           |       |       |       |
| 75   | 9,400           | 5,700 | 4,600 |       | 75  | 8,700           |       |       |       |
| 80   | 9,200           | 5,600 | 4,400 | 3,600 | 80  | 8,600           |       |       |       |
| 85   | 9,100           | 5,500 | 4,200 | 3,400 | 85  | 8,600           | 4,900 | 3,700 |       |
| 90   | 9,000           | 5,400 | 4,100 | 3,200 | 90  | 8,500           | 4,900 | 3,500 | 2,900 |
| 95   | 8,800           | 5,300 | 3,900 | 3,000 | 95  | 8,400           | 4,800 | 3,400 | 2,700 |
| 100  | 8,500           | 5,200 | 3,700 | 2,900 | 100                                       | 8,200           | 4,800 | 3,300 | 2,600 |
| 105  | 8,200           | 5,100 | 3,600 | 2,700 | 105                                       | 8,000           | 4,700 | 3,200 | 2,400 |
| 110  | 8,000           | 5,000 | 3,500 | 2,600 | 110                                       | 7,800           | 4,700 | 3,100 | 2,300 |
| 115  | 7,700           | 4,900 | 3,300 | 2,400 | 115                                       | 7,600           | 4,700 | 3,000 | 2,200 |
| 120  | 7,200           | 4,800 | 3,200 | 2,300 | 120                                       | 7,400           | 4,600 | 2,900 | 2,100 |
| 125  | 6,500           | 4,700 | 3,100 | 2,200 | 125                                       | 6,700           | 4,500 | 2,800 | 2,000 |
| 130  | 5,900           | 4,500 | 3,000 | 2,100 | 130                                       | 6,000           | 4,400 | 2,700 | 1,900 |
| 135  | 5,400           | 4,400 | 2,900 | 2,000 | 135                                       | 5,400           | 4,300 | 2,700 | 1,800 |
| 140  | 4,800           | 4,300 | 2,800 | 1,900 | 140                                       |                 | 4,200 | 2,600 | 1,800 |
| 145  | 4,400           | 4,200 | 2,800 | 1,800 | 145                                       |                 | 4,100 | 2,600 | 1,700 |
| 150  | 3,900           | 4,100 | 2,700 | 1,700 | 150                                       |                 | 4,000 | 2,500 | 1,600 |
| 155  | 3,500           | 4,000 | 2,600 | 1,700 | 155                                       |                 | 4,000 | 2,500 | 1,600 |
| 160  |                 | 3,800 | 2,600 | 1,600 | 160                                       |                 | 3,900 | 2,500 | 1,500 |
| 165  |                 | 3,400 | 2,500 | 1,500 | 165                                       |                 |       | 2,500 | 1,500 |
| 170  |                 | 3,000 | 2,500 | 1,500 | 170                                       |                 |       | 2,500 | 1,400 |
| 175  |                 | 2,600 | 2,500 | 1,400 | 175                                       |                 |       | 2,500 | 1,400 |
| 180  |                 | 2,200 | 2,200 | 1,400 | 180                                       |                 |       |       | 1,400 |
| 185  |                 |       | 1,800 | 1,400 | 185                                       |                 |       |       | 1,400 |
| 190  |                 |       | 1,500 | 1,300 | 190                                       |                 |       |       | 1,400 |
| 195  |                 |       | 1,200 | 1,300 |   |                 |       |       |       |
| 200  |                 |       |       | 1,000 |   |                 |       |       |       |

This information is not for crane operation. Operator must refer to the in-cab information for crane operation. Rated lifting capacities shown on fully extended outriggers do not exceed 85% of the tipping loads and on tires do not exceed 75% of the tipping loads.

| 39,500 lb Counterweight – Fully Extended Outriggers – 360° Rotation<br>(All Capacities Are Listed In Pounds) |                 |       |       |       |   |                 |       |       |       |
|--|-----------------|-------|-------|-------|---|-----------------|-------|-------|-------|
| 140 ft Main Boom Length<br>2° Fly Offset   |                 |       |       |       | 140 ft Main Boom Length<br>15° Fly Offset |                 |       |       |       |
| Radius<br>(ft)   | Fly Length (ft) |       |       |       | Radius<br>(ft)                            | Fly Length (ft) |       |       |       |
|  | 35              | 58    | 74    | 90    |   | 35              | 58    | 74    | 90    |
| 35   | 12,100          |       |       |       | 35  |                 |       |       |       |
| 40   | 12,100          |       |       |       | 40  |                 |       |       |       |
| 45   | 12,100          | 8,500 |       |       | 45  | 11,500          |       |       |       |
| 50   | 12,100          | 8,400 | 6,600 |       | 50  | 11,400          |       |       |       |
| 55   | 12,100          | 8,300 | 6,600 | 5,200 | 55  | 11,200          |       |       |       |
| 60   | 12,100          | 8,100 | 6,600 | 5,200 | 60  | 11,000          | 7,200 |       |       |
| 65   | 11,900          | 8,000 | 6,600 | 5,200 | 65  | 10,800          | 7,000 | 6,300 |       |
| 70   | 11,700          | 7,800 | 6,600 | 5,200 | 70  | 10,600          | 6,800 | 6,000 | 4,800 |
| 75   | 11,500          | 7,700 | 6,600 | 5,100 | 75  | 10,400          | 6,700 | 5,700 | 4,500 |
| 80   | 11,300          | 7,500 | 6,400 | 4,800 | 80  | 10,200          | 6,500 | 5,400 | 4,200 |
| 85   | 11,000          | 7,300 | 6,000 | 4,500 | 85  | 10,000          | 6,300 | 5,100 | 4,000 |
| 90   | 10,500          | 7,100 | 5,700 | 4,200 | 90  | 9,700           | 6,200 | 4,900 | 3,700 |
| 95   | 10,100          | 6,900 | 5,400 | 4,000 | 95  | 9,400           | 6,000 | 4,600 | 3,500 |
| 100  | 9,700           | 6,700 | 5,100 | 3,700 | 100                                       | 9,000           | 5,900 | 4,400 | 3,300 |
| 105  | 9,300           | 6,500 | 4,900 | 3,500 | 105                                       | 8,700           | 5,700 | 4,200 | 3,100 |
| 110  | 8,900           | 6,300 | 4,700 | 3,300 | 110                                       | 8,400           | 5,600 | 4,100 | 3,000 |
| 115  | 8,500           | 6,000 | 4,500 | 3,200 | 115                                       | 8,100           | 5,500 | 3,900 | 2,800 |
| 120  | 7,800           | 5,800 | 4,300 | 3,000 | 120                                       | 7,900           | 5,300 | 3,700 | 2,700 |
| 125  | 7,100           | 5,600 | 4,100 | 2,800 | 125                                       | 7,400           | 5,100 | 3,600 | 2,500 |
| 130  | 6,500           | 5,300 | 3,900 | 2,700 | 130                                       | 6,800           | 4,900 | 3,500 | 2,400 |
| 135  | 6,000           | 5,200 | 3,800 | 2,500 | 135                                       | 6,200           | 4,700 | 3,300 | 2,300 |
| 140  | 5,500           | 5,000 | 3,600 | 2,400 | 140                                       | 5,700           | 4,600 | 3,200 | 2,200 |
| 145  | 5,000           | 4,800 | 3,500 | 2,300 | 145                                       | 5,200           | 4,400 | 3,100 | 2,100 |
| 150  | 4,500           | 4,700 | 3,400 | 2,200 | 150                                       | 4,700           | 4,300 | 3,000 | 2,000 |
| 155  | 4,100           | 4,500 | 3,200 | 2,100 | 155                                       | 4,300           | 4,200 | 2,900 | 1,900 |
| 160  | 3,700           | 4,100 | 3,100 | 2,000 | 160                                       | 3,800           | 4,100 | 2,900 | 1,800 |
| 165  | 3,400           | 3,700 | 3,100 | 1,900 | 165                                       | 3,400           | 4,000 | 2,800 | 1,700 |
| 170  |                 | 3,400 | 3,000 | 1,800 | 170                                       |                 | 3,600 | 2,700 | 1,600 |
| 175  |                 | 3,000 | 2,800 | 1,800 | 175                                       |                 | 3,200 | 2,700 | 1,600 |
| 180  |                 | 2,700 | 2,500 | 1,700 | 180                                       |                 | 2,900 | 2,600 | 1,500 |
| 185  |                 | 2,400 | 2,200 | 1,600 | 185                                       |                 | 2,500 | 2,400 | 1,500 |
| 190  |                 |       | 1,900 | 1,600 | 190                                       |                 |       | 2,100 | 1,400 |
| 195  |                 |       | 1,700 | 1,500 | 195                                       |                 |       | 1,800 | 1,400 |
| 200  |                 |       | 1,400 | 1,300 | 200                                       |                 |       | 1,500 | 1,400 |
| 205  |                 |       |       | 1,100 | 205                                       |                 |       |       | 1,300 |
| 210  |                 |       |       | 900   | 210                                       |                 |       |       | 1,000 |
|  |                 |       |       |       | 215                                       |                 |       |       | 800   |

This information is not for crane operation. Operator must refer to the in-cab information for crane operation. Rated lifting capacities shown on fully extended outriggers do not exceed 85% of the tipping loads and on tires do not exceed 75% of the tipping loads.

| 39,500 lb Counterweight – Fully Extended Outriggers – 360° Rotation<br>(All Capacities Are Listed In Pounds) |                 |       |       |       |   |                 |       |       |       |
|--|-----------------|-------|-------|-------|---|-----------------|-------|-------|-------|
| 140 ft Main Boom Length<br>30° Fly Offset  |                 |       |       |       | 140 ft Main Boom Length<br>45° Fly Offset |                 |       |       |       |
| Radius<br>(ft)   | Fly Length (ft) |       |       |       | Radius<br>(ft)                            | Fly Length (ft) |       |       |       |
|  | 35              | 58    | 74    | 90    |   | 35              | 58    | 74    | 90    |
| 35   |                 |       |       |       | 35  |                 |       |       |       |
| 40   |                 |       |       |       | 40  |                 |       |       |       |
| 45   |                 |       |       |       | 45  |                 |       |       |       |
| 50   |                 |       |       |       | 50  |                 |       |       |       |
| 55   | 10,000          |       |       |       | 55  |                 |       |       |       |
| 60   | 9,800           |       |       |       | 60  |                 |       |       |       |
| 65   | 9,700           |       |       |       | 65  | 8,800           |       |       |       |
| 70   | 9,500           |       |       |       | 70  | 8,800           |       |       |       |
| 75   | 9,400           | 5,700 | 4,600 |       | 75  | 8,700           |       |       |       |
| 80   | 9,200           | 5,600 | 4,400 | 3,600 | 80  | 8,600           |       |       |       |
| 85   | 9,100           | 5,500 | 4,200 | 3,400 | 85  | 8,600           | 4,900 | 3,700 |       |
| 90   | 9,000           | 5,400 | 4,100 | 3,200 | 90  | 8,500           | 4,900 | 3,500 | 2,900 |
| 95   | 8,800           | 5,300 | 3,900 | 3,000 | 95  | 8,400           | 4,800 | 3,400 | 2,700 |
| 100  | 8,500           | 5,200 | 3,700 | 2,900 | 100                                       | 8,200           | 4,800 | 3,300 | 2,600 |
| 105  | 8,200           | 5,100 | 3,600 | 2,700 | 105                                       | 8,000           | 4,700 | 3,200 | 2,400 |
| 110  | 8,000           | 5,000 | 3,500 | 2,600 | 110                                       | 7,800           | 4,700 | 3,100 | 2,300 |
| 115  | 7,700           | 4,900 | 3,300 | 2,400 | 115                                       | 7,600           | 4,700 | 3,000 | 2,200 |
| 120  | 7,500           | 4,800 | 3,200 | 2,300 | 120                                       | 7,400           | 4,600 | 2,900 | 2,100 |
| 125  | 7,300           | 4,700 | 3,100 | 2,200 | 125                                       | 7,200           | 4,500 | 2,800 | 2,000 |
| 130  | 7,000           | 4,500 | 3,000 | 2,100 | 130                                       | 7,100           | 4,400 | 2,700 | 1,900 |
| 135  | 6,400           | 4,400 | 2,900 | 2,000 | 135                                       | 6,400           | 4,300 | 2,700 | 1,800 |
| 140  | 5,800           | 4,300 | 2,800 | 1,900 | 140                                       |                 | 4,200 | 2,600 | 1,800 |
| 145  | 5,300           | 4,200 | 2,800 | 1,800 | 145                                       |                 | 4,100 | 2,600 | 1,700 |
| 150  | 4,800           | 4,100 | 2,700 | 1,700 | 150                                       |                 | 4,000 | 2,500 | 1,600 |
| 155  | 4,300           | 4,000 | 2,600 | 1,700 | 155                                       |                 | 4,000 | 2,500 | 1,600 |
| 160  |                 | 3,900 | 2,600 | 1,600 | 160                                       |                 | 4,000 | 2,500 | 1,500 |
| 165  |                 | 3,900 | 2,500 | 1,500 | 165                                       |                 | 4,000 | 2,500 | 1,500 |
| 170  |                 | 3,700 | 2,500 | 1,500 | 170                                       |                 |       | 2,500 | 1,400 |
| 175  |                 | 3,300 | 2,500 | 1,400 | 175                                       |                 |       | 2,500 | 1,400 |
| 180  |                 | 2,900 | 2,500 | 1,400 | 180                                       |                 |       |       | 1,400 |
| 185  |                 |       | 2,500 | 1,400 | 185                                       |                 |       |       | 1,400 |
| 190  |                 |       | 2,200 | 1,300 | 190                                       |                 |       |       | 1,400 |
| 195  |                 |       | 1,900 | 1,300 |   |                 |       |       |       |
| 200  |                 |       |       | 1,300 |   |                 |       |       |       |
| 205  |                 |       |       | 1,300 |   |                 |       |       |       |
| 210  |                 |       |       | 1,100 |   |                 |       |       |       |

This information is not for crane operation. Operator must refer to the in-cab information for crane operation. Rated lifting capacities shown on fully extended outriggers do not exceed 85% of the tipping loads and on tires do not exceed 75% of the tipping loads.



## Main Boom Lift Capacity Charts – Optional (Metric)

| 3 856kg Counterweight – Fully Extended Outriggers – 360° Rotation<br>(All Capacities Are Listed In Kilograms) |                 |         |        |        |        |        |        |        |        |        |               |       |
|---|-----------------|---------|--------|--------|--------|--------|--------|--------|--------|--------|---------------|-------|
| Radius<br>(m)   | Boom Length (m) |         |        |        |        |        |        |        |        |        | Radius<br>(m) |       |
|   | 11.58           | 15.2    | 18.3   | 21.3   | 24.4   | 27.4   | 30.5   | 33.5   | 36.6   | 39.6   |               | 42.67 |
| 3   | 70 800*         | 69 550* | 53 450 | 40 850 |        |        |        |        |        |        |               | 3     |
| 3.5   | 61 350*         | 62 250* | 50 350 | 39 100 |        |        |        |        |        |        |               | 3.5   |
| 4   | 53 500          | 54 450  | 48 900 | 37 450 | 37 400 |        |        |        |        |        |               | 4     |
| 4.5   | 47 250          | 48 250  | 48 350 | 35 950 | 35 750 | 26 150 |        |        |        |        |               | 4.5   |
| 5   | 42 200          | 43 200  | 43 400 | 34 600 | 35 250 | 26 150 |        |        |        |        |               | 5     |
| 6   | 34 500          | 35 550  | 35 750 | 32 150 | 34 700 | 25 450 | 22 250 | 19 250 |        |        |               | 6     |
| 7   | 26 600          | 27 850  | 28 200 | 28 850 | 28 700 | 25 200 | 21 150 | 19 250 |        |        |               | 7     |
| 8   | 20 500          | 22 000  | 22 450 | 22 550 | 22 450 | 22 200 | 20 650 | 18 800 | 14 950 | 13 400 |               | 8     |
| 9   | 16 350          | 17 800  | 18 250 | 18 500 | 18 200 | 18 150 | 17 950 | 17 550 | 14 200 | 13 300 | 11 050        | 9     |
| 10  |                 | 14 850  | 15 250 | 15 550 | 15 600 | 15 600 | 15 600 | 15 400 | 14 050 | 13 200 | 10 950        | 10    |
| 12  |                 | 10 750  | 11 450 | 11 700 | 11 850 | 11 700 | 11 850 | 11 800 | 11 650 | 11 500 | 10 850        | 12    |
| 14  |                 |         | 8 800  | 9 100  | 9 250  | 9 300  | 9 250  | 9 200  | 9 050  | 8 900  | 8 750         | 14    |
| 16  |                 |         | 6 850  | 7 150  | 7 350  | 7 400  | 7 350  | 7 300  | 7 150  | 6 950  | 6 850         | 16    |
| 18  |                 |         |        | 5 800  | 5 950  | 6 000  | 5 950  | 5 900  | 5 750  | 5 650  | 5 500         | 18    |
| 20  |                 |         |        |        | 4 900  | 4 950  | 4 900  | 4 850  | 4 750  | 4 600  | 4 450         | 20    |
| 22  |                 |         |        |        | 4 050  | 4 150  | 4 100  | 4 050  | 3 900  | 3 750  | 3 650         | 22    |
| 24  |                 |         |        |        |        | 3 450  | 3 400  | 3 400  | 3 250  | 3 100  | 2 950         | 24    |
| 26  |                 |         |        |        |        |        | 2 850  | 2 850  | 2 700  | 2 550  | 2 450         | 26    |
| 28  |                 |         |        |        |        |        | 2 400  | 2 400  | 2 250  | 2 100  | 2 000         | 28    |
| 30  |                 |         |        |        |        |        |        | 2 000  | 1 850  | 1 700  | 1 600         | 30    |
| 32  |                 |         |        |        |        |        |        | 800    | 1 550  | 1 400  | 1 250         | 32    |
| 34  |                 |         |        |        |        |        |        |        | 1 250  | 1 100  | 1 000         | 34    |
| 36  |                 |         |        |        |        |        |        |        |        | 850    | 750           | 36    |
| 38  |                 |         |        |        |        |        |        |        |        |        | 500           | 38    |
| 40  |                 |         |        |        |        |        |        |        |        |        | 350           | 40    |

\* Special Conditions Or Wire Rope Required

This information is not for crane operation. Operator must refer to the in-cab information for crane operation. Rated lifting capacities shown on fully extended outriggers do not exceed 75% of the tipping loads and on tires do not exceed 65% of the tipping loads.

| <b>3 856kg Counterweight – On Tires – Stationary – Boom Centered Over Rear</b><br>(All Capacities Are Listed In Kilograms) |                 |        |       |       |       |       |       |            |
|--|-----------------|--------|-------|-------|-------|-------|-------|------------|
| Radius (m)   | Boom Length (m) |        |       |       |       |       |       | Radius (m) |
|  | 11.58           | 15.2   | 18.3  | 21.3  | 24.4  | 27.4  | 30.5  |            |
| 3  | 11 000          |        |       |       |       |       |       | 3          |
| 3.5  | 10 150          | 10 450 |       |       |       |       |       | 3.5        |
| 4  | 9 250           | 9 900  |       |       |       |       |       | 4          |
| 4.5  | 8 450           | 9 100  | 9 350 |       |       |       |       | 4.5        |
| 5  | 7 700           | 8 450  | 8 800 |       |       |       |       | 5          |
| 6  | 6 450           | 7 200  | 7 600 | 7 700 |       |       |       | 6          |
| 7  | 5 400           | 6 200  | 6 600 | 6 800 |       |       |       | 7          |
| 8  | 4 500           | 5 350  | 5 800 | 6 000 | 6 100 |       |       | 8          |
| 9  | 3 650           | 4 600  | 5 100 | 5 300 | 5 450 | 4 850 | 3 750 | 9          |
| 10   |                 | 3 800  | 4 300 | 4 550 | 4 700 | 4 800 | 3 750 | 10         |
| 12   |                 | 2 550  | 3 050 | 3 300 | 3 450 | 3 500 | 3 500 | 12         |
| 14   |                 |        | 2 150 | 2 400 | 2 500 | 2 600 | 2 600 | 14         |
| 16   |                 |        | 1 500 | 1 700 | 1 850 | 1 950 | 1 900 | 16         |
| 18   |                 |        |       | 1 200 | 1 350 | 1 450 | 1 400 | 18         |
| 20   |                 |        |       |       | 950   | 1 000 | 1 000 | 20         |
| 22   |                 |        |       |       | 650   | 700   | 650   | 22         |
| 24   |                 |        |       |       |       | 450   | 400   | 24         |

| <b>3 856kg Counterweight – On Tires – Pick &amp; Carry (1.6 km/h) – Boom Centered Over Rear</b><br>(All Capacities Are Listed In Kilograms) |                 |       |       |       |       |       |       |            |
|---|-----------------|-------|-------|-------|-------|-------|-------|------------|
| Radius (m)  | Boom Length (m) |       |       |       |       |       |       | Radius (m) |
|   | 11.58           | 15.2  | 18.3  | 21.3  | 24.4  | 27.4  | 30.5  |            |
| 3   | 6 200           |       |       |       |       |       |       | 3          |
| 3.5   | 5 500           | 5 750 |       |       |       |       |       | 3.5        |
| 4   | 4 900           | 5 500 |       |       |       |       |       | 4          |
| 4.5   | 4 300           | 5 000 | 5 250 |       |       |       |       | 4.5        |
| 5   | 3 800           | 4 550 | 4 900 |       |       |       |       | 5          |
| 6   | 2 900           | 3 650 | 4 050 | 4 150 |       |       |       | 6          |
| 7   | 2 100           | 2 950 | 3 350 | 3 600 |       |       |       | 7          |
| 8   | 1 450           | 2 350 | 2 800 | 3 000 | 3 150 |       |       | 8          |
| 9   | 900             | 1 800 | 2 250 | 2 500 | 2 650 | 2 600 | 2 600 | 9          |
| 10  |                 | 1 350 | 1 850 | 2 050 | 2 200 | 2 300 | 2 250 | 10         |
| 12  |                 | 600   | 1 100 | 1 350 | 1 500 | 1 550 | 1 550 | 12         |
| 14  |                 |       | 500   | 750   | 900   | 1 000 | 1 000 | 14         |
| 16  |                 |       |       |       | 450   | 550   | 550   | 16         |

This information is not for crane operation. Operator must refer to the in-cab information for crane operation. Rated lifting capacities shown on fully extended outriggers do not exceed 75% of the tipping loads and on tires do not exceed 65% of the tipping loads.

| <b>5 216kg Counterweight – Fully Extended Outriggers – 360° Rotation</b><br>(All Capacities Are Listed In Kilograms) |                 |         |        |        |        |        |        |        |        |        |               |       |
|--|-----------------|---------|--------|--------|--------|--------|--------|--------|--------|--------|---------------|-------|
| Radius<br>(m)  | Boom Length (m) |         |        |        |        |        |        |        |        |        | Radius<br>(m) |       |
|  | 11.58           | 15.2    | 18.3   | 21.3   | 24.4   | 27.4   | 30.5   | 33.5   | 36.6   | 39.6   |               | 42.67 |
| 3  | 71 100*         | 69 550* | 53 450 | 40 850 |        |        |        |        |        |        |               | 3     |
| 3.5  | 62 600*         | 63 450* | 50 350 | 39 100 |        |        |        |        |        |        |               | 3.5   |
| 4  | 54 600          | 55 550  | 48 900 | 37 450 | 37 400 |        |        |        |        |        |               | 4     |
| 4.5  | 48 250          | 49 200  | 48 350 | 35 950 | 35 750 | 26 150 |        |        |        |        |               | 4.5   |
| 5  | 43 100          | 44 100  | 44 250 | 34 600 | 35 250 | 26 150 |        |        |        |        |               | 5     |
| 6  | 35 250          | 36 250  | 36 450 | 32 150 | 34 700 | 25 450 | 22 250 | 19 250 |        |        |               | 6     |
| 7  | 28 250          | 29 450  | 29 700 | 30 000 | 29 400 | 25 200 | 21 150 | 19 250 |        |        |               | 7     |
| 8  | 21 800          | 23 300  | 23 750 | 23 850 | 23 700 | 23 450 | 20 650 | 18 800 | 14 950 | 13 400 |               | 8     |
| 9  | 17 450          | 18 900  | 19 350 | 19 450 | 19 300 | 19 100 | 19 050 | 17 550 | 14 200 | 13 300 | 11 050        | 9     |
| 10   |                 | 15 800  | 16 200 | 16 500 | 16 150 | 16 550 | 15 950 | 16 300 | 14 050 | 13 200 | 10 950        | 10    |
| 12   |                 | 11 500  | 12 000 | 12 200 | 12 600 | 12 250 | 12 450 | 12 350 | 12 350 | 11 800 | 10 850        | 12    |
| 14   |                 |         | 9 400  | 9 700  | 9 850  | 9 900  | 9 850  | 9 800  | 9 650  | 9 500  | 9 350         | 14    |
| 16   |                 |         | 7 450  | 7 750  | 7 900  | 8 000  | 7 950  | 7 900  | 7 750  | 7 600  | 7 450         | 16    |
| 18   |                 |         |        | 6 300  | 6 450  | 6 500  | 6 450  | 6 400  | 6 250  | 6 100  | 5 950         | 18    |
| 20   |                 |         |        |        | 5 350  | 5 400  | 5 400  | 5 350  | 5 200  | 5 050  | 4 900         | 20    |
| 22   |                 |         |        |        | 4 450  | 4 550  | 4 500  | 4 450  | 4 350  | 4 150  | 4 050         | 22    |
| 24   |                 |         |        |        |        | 3 850  | 3 800  | 3 750  | 3 600  | 3 450  | 3 350         | 24    |
| 26   |                 |         |        |        |        |        | 3 200  | 3 150  | 3 050  | 2 900  | 2 750         | 26    |
| 28   |                 |         |        |        |        |        | 2 700  | 2 700  | 2 550  | 2 400  | 2 300         | 28    |
| 30   |                 |         |        |        |        |        |        | 2 250  | 2 150  | 2 000  | 1 900         | 30    |
| 32   |                 |         |        |        |        |        |        | 1 050  | 1 800  | 1 650  | 1 550         | 32    |
| 34   |                 |         |        |        |        |        |        |        | 1 500  | 1 350  | 1 250         | 34    |
| 36   |                 |         |        |        |        |        |        |        |        | 1 100  | 950           | 36    |
| 38   |                 |         |        |        |        |        |        |        |        |        | 750           | 38    |
| 40   |                 |         |        |        |        |        |        |        |        |        | 550           | 40    |

\* Special Conditions Or Wire Rope Required

This information is not for crane operation. Operator must refer to the in-cab information for crane operation. Rated lifting capacities shown on fully extended outriggers do not exceed 75% of the tipping loads and on tires do not exceed 65% of the tipping loads.

| <b>5 216kg Counterweight – On Tires – Stationary – Boom Centered Over Rear</b><br>(All Capacities Are Listed In Kilograms) |                 |        |       |       |       |       |       |            |
|--|-----------------|--------|-------|-------|-------|-------|-------|------------|
| Radius (m)   | Boom Length (m) |        |       |       |       |       |       | Radius (m) |
|  | 11.58           | 15.2   | 18.3  | 21.3  | 24.4  | 27.4  | 30.5  |            |
| 3  | 10 750          |        |       |       |       |       |       | 3          |
| 3.5  | 9 900           | 10 200 |       |       |       |       |       | 3.5        |
| 4  | 9 000           | 9 650  |       |       |       |       |       | 4          |
| 4.5  | 8 250           | 8 900  | 9 150 |       |       |       |       | 4.5        |
| 5  | 7 500           | 8 250  | 8 600 |       |       |       |       | 5          |
| 6  | 6 250           | 7 050  | 7 450 | 7 500 |       |       |       | 6          |
| 7  | 5 250           | 6 050  | 6 450 | 6 650 |       |       |       | 7          |
| 8  | 4 350           | 5 200  | 5 650 | 5 850 | 5 950 |       |       | 8          |
| 9  | 3 550           | 4 500  | 4 950 | 5 150 | 5 300 | 5 300 | 4 250 | 9          |
| 10   |                 | 3 850  | 4 350 | 4 550 | 4 700 | 4 750 | 4 250 | 10         |
| 12   |                 | 2 800  | 3 300 | 3 550 | 3 700 | 3 750 | 3 750 | 12         |
| 14   |                 |        | 2 450 | 2 650 | 2 800 | 2 900 | 2 900 | 14         |
| 16   |                 |        | 1 750 | 1 950 | 2 100 | 2 200 | 2 200 | 16         |
| 18   |                 |        |       | 1 450 | 1 600 | 1 650 | 1 650 | 18         |
| 20   |                 |        |       |       | 1 150 | 1 250 | 1 200 | 20         |
| 22   |                 |        |       |       | 800   | 900   | 850   | 22         |
| 24   |                 |        |       |       |       | 600   | 550   | 24         |

| <b>5 216kg Counterweight – On Tires – Pick &amp; Carry (1.6 km/h) – Boom Centered Over Rear</b><br>(All Capacities Are Listed In Kilograms) |                 |       |       |       |       |       |       |            |
|---|-----------------|-------|-------|-------|-------|-------|-------|------------|
| Radius (m)  | Boom Length (m) |       |       |       |       |       |       | Radius (m) |
|   | 11.58           | 15.2  | 18.3  | 21.3  | 24.4  | 27.4  | 30.5  |            |
| 3   | 5 950           |       |       |       |       |       |       | 3          |
| 3.5   | 5 400           | 5 850 |       |       |       |       |       | 3.5        |
| 4   | 4 550           | 5 500 |       |       |       |       |       | 4          |
| 4.5   | 4 100           | 4 850 | 5 350 |       |       |       |       | 4.5        |
| 5   | 3 600           | 4 300 | 4 650 |       |       |       |       | 5          |
| 6   | 2 700           | 3 500 | 3 900 | 3 950 |       |       |       | 6          |
| 7   | 1 950           | 2 800 | 3 200 | 3 400 |       |       |       | 7          |
| 8   | 1 300           | 2 200 | 2 650 | 2 850 | 3 000 |       |       | 8          |
| 9   | 750             | 1 700 | 2 150 | 2 350 | 2 500 | 2 450 | 2 450 | 9          |
| 10  |                 | 1 250 | 1 700 | 1 950 | 2 050 | 2 150 | 2 150 | 10         |
| 12  |                 | 500   | 1 000 | 1 200 | 1 400 | 1 450 | 1 450 | 12         |
| 14  |                 |       |       | 650   | 800   | 900   | 900   | 14         |
| 16  |                 |       |       |       |       | 450   | 450   | 16         |

This information is not for crane operation. Operator must refer to the in-cab information for crane operation. Rated lifting capacities shown on fully extended outriggers do not exceed 75% of the tipping loads and on tires do not exceed 65% of the tipping loads.

| <b>6 577kg Counterweight – On Tires – Stationary – Boom Centered Over Rear</b><br>(All Capacities Are Listed In Kilograms) |                 |       |       |       |       |       |       |            |
|--|-----------------|-------|-------|-------|-------|-------|-------|------------|
| Radius (m)   | Boom Length (m) |       |       |       |       |       |       | Radius (m) |
|  | 11.58           | 15.2  | 18.3  | 21.3  | 24.4  | 27.4  | 30.5  |            |
| 3  | 10 400          |       |       |       |       |       |       | 3          |
| 3.5  | 9 650           | 9 900 |       |       |       |       |       | 3.5        |
| 4  | 8 800           | 9 400 |       |       |       |       |       | 4          |
| 4.5  | 8 050           | 8 700 | 8 900 |       |       |       |       | 4.5        |
| 5  | 7 300           | 8 050 | 8 400 |       |       |       |       | 5          |
| 6  | 6 100           | 6 850 | 7 250 | 7 300 |       |       |       | 6          |
| 7  | 5 100           | 5 900 | 6 300 | 6 500 |       |       |       | 7          |
| 8  | 4 200           | 5 100 | 5 500 | 5 750 | 5 800 |       |       | 8          |
| 9  | 3 450           | 4 350 | 4 800 | 5 050 | 5 150 | 5 150 | 4 250 | 9          |
| 10   |                 | 3 750 | 4 200 | 4 450 | 4 550 | 4 650 | 4 250 | 10         |
| 12   |                 | 2 700 | 3 200 | 3 450 | 3 600 | 3 650 | 3 650 | 12         |
| 14   |                 |       | 2 400 | 2 650 | 2 800 | 2 900 | 2 850 | 14         |
| 16   |                 |       | 1 750 | 2 000 | 2 150 | 2 250 | 2 250 | 16         |
| 18   |                 |       |       | 1 500 | 1 650 | 1 750 | 1 700 | 18         |
| 20   |                 |       |       |       | 1 200 | 1 300 | 1 250 | 20         |
| 22   |                 |       |       |       | 850   | 900   | 900   | 22         |
| 24   |                 |       |       |       |       | 600   | 550   | 24         |

| <b>6 577kg Counterweight – On Tires – Pick &amp; Carry (1.6 km/h) – Boom Centered Over Rear</b><br>(All Capacities Are Listed In Kilograms) |                 |       |       |       |       |       |       |            |
|---|-----------------|-------|-------|-------|-------|-------|-------|------------|
| Radius (m)  | Boom Length (m) |       |       |       |       |       |       | Radius (m) |
|   | 11.58           | 15.2  | 18.3  | 21.3  | 24.4  | 27.4  | 30.5  |            |
| 3   | 5 750           |       |       |       |       |       |       | 3          |
| 3.5   | 5 150           | 5 600 |       |       |       |       |       | 3.5        |
| 4   | 4 500           | 5 200 |       |       |       |       |       | 4          |
| 4.5   | 3 950           | 4 700 | 4 950 |       |       |       |       | 4.5        |
| 5   | 3 350           | 4 200 | 4 600 |       |       |       |       | 5          |
| 6   | 2 550           | 3 250 | 3 850 | 3 950 |       |       |       | 6          |
| 7   | 1 800           | 2 650 | 3 000 | 3 150 |       |       |       | 7          |
| 8   | 1 150           | 2 050 | 2 500 | 2 700 | 2 800 |       |       | 8          |
| 9   | 600             | 1 550 | 2 000 | 2 200 | 2 350 | 2 350 | 2 350 | 9          |
| 10  |                 | 1 100 | 1 550 | 1 800 | 1 950 | 2 000 | 2 000 | 10         |
| 12  |                 | 350   | 850   | 1 100 | 1 250 | 1 350 | 1 300 | 12         |
| 14  |                 |       |       | 550   | 700   | 800   | 800   | 14         |

This information is not for crane operation. Operator must refer to the in-cab information for crane operation. Rated lifting capacities shown on fully extended outriggers do not exceed 75% of the tipping loads and on tires do not exceed 65% of the tipping loads.

| 14 742kg Counterweight – Fully Extended Outriggers – 360° Rotation<br>(All Capacities Are Listed In Kilograms) |                 |         |        |        |        |        |        |        |        |        |               |       |
|--|-----------------|---------|--------|--------|--------|--------|--------|--------|--------|--------|---------------|-------|
| Radius<br>(m)  | Boom Length (m) |         |        |        |        |        |        |        |        |        | Radius<br>(m) |       |
|  | 11.58           | 15.2    | 18.3   | 21.3   | 24.4   | 27.4   | 30.5   | 33.5   | 36.6   | 39.6   |               | 42.67 |
| 2.4  | 81 600*         |         |        |        |        |        |        |        |        |        |               | 2.4   |
| 3  | 72 400*         | 69 550* | 53 450 | 40 850 |        |        |        |        |        |        |               | 3     |
| 3.5  | 66 550*         | 64 300* | 50 350 | 39 100 |        |        |        |        |        |        |               | 3.5   |
| 4  | 61 000*         | 59 950* | 48 900 | 37 450 | 37 400 |        |        |        |        |        |               | 4     |
| 4.5  | 55 050          | 55 950  | 48 350 | 35 950 | 35 750 | 26 150 |        |        |        |        |               | 4.5   |
| 5  | 49 250          | 50 200  | 47 000 | 34 600 | 35 250 | 26 150 |        |        |        |        |               | 5     |
| 6  | 40 450          | 41 400  | 41 600 | 32 150 | 34 700 | 25 450 | 22 250 | 19 250 |        |        |               | 6     |
| 7  | 34 000          | 35 050  | 35 250 | 30 000 | 34 700 | 25 200 | 21 150 | 19 250 |        |        |               | 7     |
| 8  | 29 150          | 30 200  | 30 400 | 28 150 | 30 200 | 24 950 | 20 650 | 18 800 | 14 950 | 13 400 |               | 8     |
| 9  | 25 150          | 26 300  | 26 500 | 26 550 | 27 000 | 24 700 | 20 500 | 17 550 | 14 200 | 13 300 | 11 050        | 9     |
| 10   |                 | 22 100  | 22 800 | 22 900 | 22 750 | 22 550 | 19 750 | 16 450 | 14 050 | 13 200 | 10 950        | 10    |
| 12   |                 | 16 650  | 17 100 | 17 200 | 17 050 | 16 900 | 16 700 | 15 200 | 13 850 | 13 050 | 10 850        | 12    |
| 14   |                 |         | 13 400 | 13 500 | 13 400 | 13 450 | 13 200 | 13 000 | 13 350 | 12 750 | 10 750        | 14    |
| 16   |                 |         | 10 850 | 11 150 | 11 250 | 11 200 | 11 000 | 11 050 | 10 900 | 11 050 | 10 700        | 16    |
| 18   |                 |         |        | 9 250  | 9 350  | 9 350  | 9 300  | 9 350  | 9 450  | 9 300  | 9 150         | 18    |
| 20   |                 |         |        |        | 8 150  | 7 900  | 8 200  | 8 150  | 8 000  | 7 850  | 7 700         | 20    |
| 22   |                 |         |        |        | 7 000  | 7 000  | 7 050  | 7 000  | 6 850  | 6 700  | 6 600         | 22    |
| 24   |                 |         |        |        |        | 6 150  | 6 100  | 6 100  | 5 950  | 5 800  | 5 750         | 24    |
| 26   |                 |         |        |        |        |        | 5 350  | 5 350  | 5 250  | 5 100  | 4 950         | 26    |
| 28   |                 |         |        |        |        |        | 4 700  | 4 700  | 4 600  | 4 450  | 4 350         | 28    |
| 30   |                 |         |        |        |        |        |        | 4 150  | 4 050  | 3 900  | 3 800         | 30    |
| 32   |                 |         |        |        |        |        |        | 2 800  | 3 550  | 3 400  | 3 300         | 32    |
| 34   |                 |         |        |        |        |        |        |        | 3 150  | 3 000  | 2 900         | 34    |
| 36   |                 |         |        |        |        |        |        |        |        | 2 650  | 2 550         | 36    |
| 38   |                 |         |        |        |        |        |        |        |        |        | 2 200         | 38    |
| 40   |                 |         |        |        |        |        |        |        |        |        | 1 950         | 40    |

\* Special Conditions Or Wire Rope Required

This information is not for crane operation. Operator must refer to the in-cab information for crane operation. Rated lifting capacities shown on fully extended outriggers do not exceed 75% of the tipping loads and on tires do not exceed 65% of the tipping loads.

| 17 917kg Counterweight – Fully Extended Outriggers – 360° Rotation<br>(All Capacities Are Listed In Kilograms) |                 |         |        |        |        |        |        |        |        |        |               |       |
|--|-----------------|---------|--------|--------|--------|--------|--------|--------|--------|--------|---------------|-------|
| Radius<br>(m)  | Boom Length (m) |         |        |        |        |        |        |        |        |        | Radius<br>(m) |       |
|  | 11.58           | 15.2    | 18.3   | 21.3   | 24.4   | 27.4   | 30.5   | 33.5   | 36.6   | 39.6   |               | 42.67 |
| 2.4  | 81 600*         |         |        |        |        |        |        |        |        |        |               | 2.4   |
| 3  | 72 650*         | 69 550* | 53 450 | 40 850 |        |        |        |        |        |        |               | 3     |
| 3.5  | 66 800*         | 64 300* | 50 350 | 39 100 |        |        |        |        |        |        |               | 3.5   |
| 4  | 61 600*         | 59 950* | 48 900 | 37 450 | 37 400 |        |        |        |        |        |               | 4     |
| 4.5  | 56 750          | 56 100  | 48 350 | 35 950 | 35 750 | 26 150 |        |        |        |        |               | 4.5   |
| 5  | 51 250          | 52 250  | 47 000 | 34 600 | 35 250 | 26 150 |        |        |        |        |               | 5     |
| 6  | 42 100          | 43 100  | 43 300 | 32 150 | 34 700 | 25 450 | 22 250 | 19 250 |        |        |               | 6     |
| 7  | 35 450          | 36 500  | 36 700 | 30 000 | 34 700 | 25 200 | 21 150 | 19 250 |        |        |               | 7     |
| 8  | 30 450          | 31 450  | 31 700 | 28 150 | 31 500 | 24 950 | 20 650 | 18 800 | 14 950 | 13 400 |               | 8     |
| 9  | 26 450          | 27 550  | 27 750 | 26 550 | 28 000 | 24 700 | 20 500 | 17 550 | 14 200 | 13 300 | 11 050        | 9     |
| 10   |                 | 24 250  | 24 450 | 25 000 | 24 900 | 24 650 | 19 750 | 16 450 | 14 050 | 13 200 | 10 950        | 10    |
| 12   |                 | 18 300  | 18 750 | 18 850 | 18 750 | 18 550 | 17 550 | 15 200 | 13 850 | 13 050 | 10 850        | 12    |
| 14   |                 |         | 14 800 | 14 900 | 14 800 | 14 600 | 14 450 | 13 550 | 13 400 | 12 750 | 10 750        | 14    |
| 16   |                 |         | 12 000 | 12 150 | 12 050 | 12 200 | 11 850 | 11 650 | 12 000 | 11 700 | 10 700        | 16    |
| 18   |                 |         |        | 10 250 | 10 300 | 10 350 | 9 900  | 10 150 | 10 050 | 10 050 | 10 100        | 18    |
| 20   |                 |         |        |        | 8 800  | 8 800  | 8 800  | 8 600  | 8 700  | 8 750  | 8 650         | 20    |
| 22   |                 |         |        |        | 7 700  | 7 550  | 7 700  | 7 800  | 7 700  | 7 550  | 7 400         | 22    |
| 24   |                 |         |        |        |        | 6 550  | 6 850  | 6 800  | 6 700  | 6 550  | 6 400         | 24    |
| 26   |                 |         |        |        |        |        | 6 000  | 6 000  | 5 850  | 5 750  | 5 650         | 26    |
| 28   |                 |         |        |        |        |        | 5 350  | 5 300  | 5 200  | 5 050  | 4 950         | 28    |
| 30   |                 |         |        |        |        |        |        | 4 700  | 4 600  | 4 450  | 4 350         | 30    |
| 32   |                 |         |        |        |        |        |        | 3 350  | 4 100  | 3 950  | 3 850         | 32    |
| 34   |                 |         |        |        |        |        |        |        | 3 650  | 3 500  | 3 400         | 34    |
| 36   |                 |         |        |        |        |        |        |        |        | 3 100  | 3 000         | 36    |
| 38   |                 |         |        |        |        |        |        |        |        |        | 2 650         | 38    |
| 40   |                 |         |        |        |        |        |        |        |        |        | 2 350         | 40    |

\* Special Conditions Or Wire Rope Required

This information is not for crane operation. Operator must refer to the in-cab information for crane operation. Rated lifting capacities shown on fully extended outriggers do not exceed 75% of the tipping loads and on tires do not exceed 65% of the tipping loads.

## Fly Attachment Lift Capacity Charts – Optional (Metric)

| 3 856kg Counterweight – Fully Extended Outriggers – 360° Rotation<br>(All Capacities Are Listed In Kilograms) |                |       |   |                |       |
|---|----------------|-------|---|----------------|-------|
| 42.67m Main Boom Length<br>2° Fly Offset  |                |       | 42.67m Main Boom Length<br>15° Fly Offset |                |       |
| Radius<br>(ft)  | Fly Length (m) |       | Radius<br>(ft)                            | Fly Length (m) |       |
|   | 10.67          | 17.68 |   | 10.67          | 17.68 |
| 12  | 5 500          |       | 12  |                |       |
| 14  | 5 500          | 3 850 | 14  | 5 200          |       |
| 16  | 5 500          | 3 750 | 16  | 5 100          |       |
| 18  | 5 500          | 3 700 | 18  | 5 000          | 3 300 |
| 20  | 4 750          | 3 600 | 20  | 4 900          | 3 150 |
| 22  | 3 900          | 3 500 | 22  | 4 200          | 3 050 |
| 24  | 3 250          | 3 400 | 24  | 3 500          | 2 950 |
| 26  | 2 650          | 2 900 | 26  | 2 900          | 2 850 |
| 28  | 2 200          | 2 400 | 28  | 2 400          | 2 750 |
| 30  | 1 800          | 2 000 | 30  | 2 000          | 2 300 |
| 32  | 1 500          | 1 650 | 32  | 1 650          | 1 950 |
| 34  | 1 200          | 1 350 | 34  | 1 350          | 1 600 |
| 36  | 950            | 1 100 | 36  | 1 050          | 1 350 |
| 38  | 700            | 900   | 38  | 850            | 1 100 |
| 40  | 500            | 700   | 40  | 600            | 850   |
| 42  |                | 500   | 42  | 400            | 650   |
| 44  |                |       | 44  |                | 500   |

| 42.67m Main Boom Length<br>30° Fly Offset |                |       | 42.67m Main Boom Length<br>45° Fly Offset |                |       |
|---|----------------|-------|---|----------------|-------|
| Radius<br>(ft)                            | Fly Length (m) |       | Radius<br>(ft)                            | Fly Length (m) |       |
|   | 10.67          | 17.68 |   | 10.67          | 17.68 |
| 18  | 4 450          |       | 18  |                |       |
| 20  | 4 350          |       | 20  | 3 950          |       |
| 22  | 4 300          |       | 22  | 3 950          |       |
| 24  | 3 750          | 2 550 | 24  | 3 900          |       |
| 26  | 3 150          | 2 500 | 26  | 3 350          | 2 250 |
| 28  | 2 650          | 2 400 | 28  | 2 800          | 2 200 |
| 30  | 2 200          | 2 350 | 30  | 2 300          | 2 150 |
| 32  | 1 800          | 2 250 | 32  | 1 900          | 2 150 |
| 34  | 1 500          | 1 850 | 34  | 1 550          | 2 050 |
| 36  | 1 200          | 1 550 | 36  | 1 250          | 1 750 |
| 38  | 950            | 1 300 | 38  | 1 000          | 1 450 |
| 40  | 700            | 1 050 | 40  | 750            | 1 150 |
| 42  | 500            | 800   | 42  |                | 900   |
| 44  |                | 600   | 44  |                | 700   |
| 46  |                | 450   | 46  |                | 500   |

This information is not for crane operation. Operator must refer to the in-cab information for crane operation. Rated lifting capacities shown on fully extended outriggers do not exceed 75% of the tipping loads and on tires do not exceed 65% of the tipping loads.



| 5 216kg Counterweight – Fully Extended Outriggers – 360° Rotation<br>(All Capacities Are Listed In Kilograms) |                |       |       |   |                |       |       |
|---|----------------|-------|-------|---|----------------|-------|-------|
| 42.67m Main Boom Length<br>2° Fly Offset  |                |       |       | 42.67m Main Boom Length<br>15° Fly Offset |                |       |       |
| Radius<br>(ft)  | Fly Length (m) |       |       | Radius<br>(ft)                            | Fly Length (m) |       |       |
|   | 10.67          | 17.68 | 22.56 |   | 10.67          | 17.68 | 22.56 |
| 12  | 5 500          |       |       | 12  |                |       |       |
| 14  | 5 500          | 3 850 |       | 14  | 5 200          |       |       |
| 16  | 5 500          | 3 750 | 3 000 | 16  | 5 100          |       |       |
| 18  | 5 500          | 3 700 | 3 000 | 18  | 5 000          | 3 300 |       |
| 20  | 5 200          | 3 600 | 3 000 | 20  | 4 900          | 3 150 | 2 850 |
| 22  | 4 300          | 3 500 | 3 000 | 22  | 4 600          | 3 050 | 2 650 |
| 24  | 3 600          | 3 400 | 2 950 | 24  | 3 850          | 2 950 | 2 450 |
| 26  | 3 000          | 3 200 | 2 700 | 26  | 3 250          | 2 850 | 2 300 |
| 28  | 2 500          | 2 700 | 2 550 | 28  | 2 750          | 2 750 | 2 150 |
| 30  | 2 100          | 2 300 | 2 250 | 30  | 2 300          | 2 600 | 2 050 |
| 32  | 1 750          | 1 950 | 1 900 | 32  | 1 900          | 2 200 | 1 900 |
| 34  | 1 450          | 1 600 | 1 600 | 34  | 1 600          | 1 850 | 1 800 |
| 36  | 1 150          | 1 350 | 1 300 | 36  | 1 300          | 1 550 | 1 500 |
| 38  | 950            | 1 100 | 1 050 | 38  | 1 050          | 1 300 | 1 250 |
| 40  | 700            | 900   | 850   | 40  | 800            | 1 050 | 1 000 |
| 42  | 550            | 700   | 650   | 42  | 600            | 850   | 800   |
| 44  | 350            | 500   | 450   | 44  | 450            | 650   | 600   |
| 46  |                |       |       | 46  |                | 500   | 450   |

| 42.67m Main Boom Length<br>30° Fly Offset |                |       |       | 42.67m Main Boom Length<br>45° Fly Offset |                |       |       |
|---|----------------|-------|-------|---|----------------|-------|-------|
| Radius<br>(ft)                            | Fly Length (m) |       |       | Radius<br>(ft)                            | Fly Length (m) |       |       |
|   | 10.67          | 17.68 | 22.56 |   | 10.67          | 17.68 | 22.56 |
| 18  | 4 450          |       |       | 18  |                |       |       |
| 20  | 4 350          |       |       | 20  | 3 950          |       |       |
| 22  | 4 300          |       |       | 22  | 3 950          |       |       |
| 24  | 4 150          | 2 550 | 2 050 | 24  | 3 900          |       |       |
| 26  | 3 500          | 2 500 | 1 900 | 26  | 3 650          | 2 250 | 1 650 |
| 28  | 2 950          | 2 400 | 1 800 | 28  | 3 100          | 2 200 | 1 550 |
| 30  | 2 450          | 2 350 | 1 700 | 30  | 2 600          | 2 150 | 1 500 |
| 32  | 2 050          | 2 300 | 1 600 | 32  | 2 200          | 2 150 | 1 450 |
| 34  | 1 750          | 2 100 | 1 550 | 34  | 1 800          | 2 100 | 1 400 |
| 36  | 1 400          | 1 800 | 1 500 | 36  | 1 500          | 1 950 | 1 350 |
| 38  | 1 150          | 1 500 | 1 400 | 38  | 1 200          | 1 650 | 1 300 |
| 40  | 900            | 1 250 | 1 200 | 40  | 950            | 1 350 | 1 250 |
| 42  | 700            | 1 000 | 1 000 | 42  |                | 1 100 | 1 100 |
| 44  | 500            | 800   | 800   | 44  |                | 900   | 900   |
| 46  |                | 600   | 600   | 46  |                | 650   | 700   |
| 48  |                | 450   | 400   | 48  |                | 450   | 500   |

This information is not for crane operation. Operator must refer to the in-cab information for crane operation. Rated lifting capacities shown on fully extended outriggers do not exceed 75% of the tipping loads and on tires do not exceed 65% of the tipping loads.

| 14 742kg Counterweight – Fully Extended Outriggers – 360° Rotation<br>(All Capacities Are Listed In Kilograms) |                |       |       |       |   |                |       |       |       |
|--|----------------|-------|-------|-------|---|----------------|-------|-------|-------|
| 42.67m Main Boom Length<br>2° Fly Offset   |                |       |       |       | 42.67m Main Boom Length<br>15° Fly Offset |                |       |       |       |
| Radius<br>(ft)   | Fly Length (m) |       |       |       | Radius<br>(ft)                            | Fly Length (m) |       |       |       |
|  | 10.67          | 17.68 | 22.56 | 27.43 |   | 10.67          | 17.68 | 22.56 | 27.43 |
| 12   | 5 500          |       |       |       | 12  |                |       |       |       |
| 14   | 5 500          | 3 850 |       |       | 14  | 5 200          |       |       |       |
| 16   | 5 500          | 3 750 | 3 000 |       | 16  | 5 100          |       |       |       |
| 18   | 5 500          | 3 700 | 3 000 | 2 350 | 18  | 5 000          | 3 300 |       |       |
| 20   | 5 400          | 3 600 | 3 000 | 2 350 | 20  | 4 900          | 3 150 | 2 850 |       |
| 22   | 5 300          | 3 500 | 3 000 | 2 350 | 22  | 4 750          | 3 050 | 2 650 | 2 100 |
| 24   | 5 150          | 3 400 | 2 950 | 2 200 | 24  | 4 650          | 2 950 | 2 450 | 1 950 |
| 26   | 5 000          | 3 300 | 2 700 | 2 050 | 26  | 4 550          | 2 850 | 2 300 | 1 800 |
| 28   | 4 550          | 3 200 | 2 550 | 1 850 | 28  | 4 350          | 2 750 | 2 150 | 1 650 |
| 30   | 4 000          | 3 100 | 2 350 | 1 750 | 30  | 4 150          | 2 700 | 2 050 | 1 550 |
| 32   | 3 500          | 2 950 | 2 200 | 1 600 | 32  | 3 650          | 2 600 | 1 900 | 1 400 |
| 34   | 3 100          | 2 800 | 2 100 | 1 500 | 34  | 3 250          | 2 550 | 1 800 | 1 300 |
| 36   | 2 750          | 2 650 | 1 950 | 1 400 | 36  | 2 850          | 2 400 | 1 700 | 1 250 |
| 38   | 2 400          | 2 550 | 1 850 | 1 300 | 38  | 2 500          | 2 300 | 1 650 | 1 150 |
| 40   | 2 100          | 2 300 | 1 750 | 1 200 | 40  | 2 200          | 2 200 | 1 550 | 1 050 |
| 42   | 1 850          | 2 000 | 1 650 | 1 100 | 42  | 1 950          | 2 100 | 1 500 | 1 000 |
| 44   | 1 650          | 1 800 | 1 600 | 1 050 | 44  | 1 700          | 1 950 | 1 400 | 950   |
| 46   | 1 450          | 1 550 | 1 500 | 1 000 | 46  | 1 500          | 1 700 | 1 350 | 900   |
| 48   | 1 250          | 1 400 | 1 300 | 900   | 48  | 1 300          | 1 500 | 1 300 | 850   |
| 50   | 1 100          | 1 200 | 1 150 | 850   | 50  | 1 100          | 1 300 | 1 250 | 800   |
| 52   |                | 1 050 | 1 000 | 800   | 52  |                | 1 100 | 1 050 | 750   |
| 54   |                | 900   | 850   | 800   | 54  |                | 950   | 900   | 700   |
| 56   |                | 750   | 700   | 700   | 56  |                | 800   | 750   | 700   |
| 58   |                |       | 550   | 500   | 58  |                |       | 600   | 600   |
| 60   |                |       | 400   |       | 60  |                |       | 450   | 450   |

This information is not for crane operation. Operator must refer to the in-cab information for crane operation. Rated lifting capacities shown on fully extended outriggers do not exceed 75% of the tipping loads and on tires do not exceed 65% of the tipping loads.

| 14 742kg Counterweight – Fully Extended Outriggers – 360° Rotation<br>(All Capacities Are Listed In Kilograms) |                |       |       |       |   |                |       |       |       |
|--|----------------|-------|-------|-------|---|----------------|-------|-------|-------|
| 42.67m Main Boom Length<br>30° Fly Offset  |                |       |       |       | 42.67m Main Boom Length<br>45° Fly Offset |                |       |       |       |
| Radius<br>(ft)   | Fly Length (m) |       |       |       | Radius<br>(ft)                            | Fly Length (m) |       |       |       |
|  | 10.67          | 17.68 | 22.56 | 27.43 |   | 10.67          | 17.68 | 22.56 | 27.43 |
| 18   | 4 450          |       |       |       | 18  |                |       |       |       |
| 20   | 4 350          |       |       |       | 20  | 3 950          |       |       |       |
| 22   | 4 300          |       |       |       | 22  | 3 950          |       |       |       |
| 24   | 4 200          | 2 550 | 2 050 | 1 650 | 24  | 3 900          |       |       |       |
| 26   | 4 150          | 2 500 | 1 900 | 1 550 | 26  | 3 900          | 2 250 | 1 650 |       |
| 28   | 4 050          | 2 400 | 1 800 | 1 400 | 28  | 3 850          | 2 200 | 1 550 | 1 250 |
| 30   | 3 900          | 2 350 | 1 700 | 1 300 | 30  | 3 750          | 2 150 | 1 500 | 1 200 |
| 32   | 3 700          | 2 300 | 1 600 | 1 250 | 32  | 3 600          | 2 150 | 1 450 | 1 100 |
| 34   | 3 350          | 2 250 | 1 550 | 1 150 | 34  | 3 450          | 2 100 | 1 400 | 1 050 |
| 36   | 2 950          | 2 200 | 1 500 | 1 050 | 36  | 3 050          | 2 100 | 1 350 | 950   |
| 38   | 2 600          | 2 150 | 1 400 | 1 000 | 38  | 2 650          | 2 050 | 1 300 | 900   |
| 40   | 2 300          | 2 050 | 1 350 | 950   | 40  | 2 350          | 1 950 | 1 250 | 850   |
| 42   | 2 000          | 1 950 | 1 300 | 900   | 42  | 2 050          | 1 900 | 1 200 | 800   |
| 44   | 1 750          | 1 900 | 1 250 | 850   | 44  |                | 1 850 | 1 150 | 750   |
| 46   | 1 500          | 1 800 | 1 200 | 800   | 46  |                | 1 800 | 1 150 | 750   |
| 48   |                | 1 600 | 1 200 | 750   | 48  |                | 1 600 | 1 150 | 700   |
| 50   |                | 1 400 | 1 150 | 700   | 50  |                |       | 1 100 | 650   |
| 52   |                | 1 200 | 1 150 | 650   | 52  |                |       | 1 100 | 650   |
| 54   |                | 1 000 | 1 000 | 650   | 54  |                |       |       | 600   |
| 56   |                |       | 800   | 600   | 56  |                |       |       | 600   |
| 58   |                |       | 650   | 600   | 58  |                |       |       | 600   |
| 60   |                |       |       | 550   | 60  |                |       |       |       |
| 62   |                |       |       | 350   | 62  |                |       |       |       |

This information is not for crane operation. Operator must refer to the in-cab information for crane operation. Rated lifting capacities shown on fully extended outriggers do not exceed 75% of the tipping loads and on tires do not exceed 65% of the tipping loads.

| 17 917kg Counterweight – Fully Extended Outriggers – 360° Rotation<br>(All Capacities Are Listed In Kilograms) |                |       |       |       |   |                |       |       |       |
|--|----------------|-------|-------|-------|---|----------------|-------|-------|-------|
| 42.67m Main Boom Length<br>2° Fly Offset   |                |       |       |       | 42.67m Main Boom Length<br>15° Fly Offset |                |       |       |       |
| Radius<br>(ft)   | Fly Length (m) |       |       |       | Radius<br>(ft)                            | Fly Length (m) |       |       |       |
|  | 10.67          | 17.68 | 22.56 | 27.43 |   | 10.67          | 17.68 | 22.56 | 27.43 |
| 12   | 5 500          |       |       |       | 12  |                |       |       |       |
| 14   | 5 500          | 3 850 |       |       | 14  | 5 200          |       |       |       |
| 16   | 5 500          | 3 750 | 3 000 |       | 16  | 5 100          |       |       |       |
| 18   | 5 500          | 3 700 | 3 000 | 2 350 | 18  | 5 000          | 3 300 |       |       |
| 20   | 5 400          | 3 600 | 3 000 | 2 350 | 20  | 4 900          | 3 150 | 2 850 |       |
| 22   | 5 300          | 3 500 | 3 000 | 2 350 | 22  | 4 750          | 3 050 | 2 650 | 2 100 |
| 24   | 5 150          | 3 400 | 2 950 | 2 200 | 24  | 4 650          | 2 950 | 2 450 | 1 950 |
| 26   | 5 000          | 3 300 | 2 700 | 2 050 | 26  | 4 550          | 2 850 | 2 300 | 1 800 |
| 28   | 4 700          | 3 200 | 2 550 | 1 850 | 28  | 4 350          | 2 750 | 2 150 | 1 650 |
| 30   | 4 450          | 3 100 | 2 350 | 1 750 | 30  | 4 150          | 2 700 | 2 050 | 1 550 |
| 32   | 4 050          | 2 950 | 2 200 | 1 600 | 32  | 3 950          | 2 600 | 1 900 | 1 400 |
| 34   | 3 600          | 2 800 | 2 100 | 1 500 | 34  | 3 750          | 2 550 | 1 800 | 1 300 |
| 36   | 3 200          | 2 650 | 1 950 | 1 400 | 36  | 3 300          | 2 400 | 1 700 | 1 250 |
| 38   | 2 850          | 2 550 | 1 850 | 1 300 | 38  | 2 950          | 2 300 | 1 650 | 1 150 |
| 40   | 2 550          | 2 400 | 1 750 | 1 200 | 40  | 2 650          | 2 200 | 1 550 | 1 050 |
| 42   | 2 250          | 2 300 | 1 650 | 1 100 | 42  | 2 350          | 2 100 | 1 500 | 1 000 |
| 44   | 2 000          | 2 150 | 1 600 | 1 050 | 44  | 2 100          | 2 000 | 1 400 | 950   |
| 46   | 1 800          | 1 950 | 1 500 | 1 000 | 46  | 1 850          | 1 950 | 1 350 | 900   |
| 48   | 1 600          | 1 700 | 1 450 | 900   | 48  | 1 650          | 1 850 | 1 300 | 850   |
| 50   | 1 400          | 1 550 | 1 400 | 850   | 50  | 1 450          | 1 650 | 1 250 | 800   |
| 52   |                | 1 350 | 1 300 | 800   | 52  |                | 1 450 | 1 250 | 750   |
| 54   |                | 1 200 | 1 150 | 800   | 54  |                | 1 250 | 1 200 | 700   |
| 56   |                | 1 050 | 1 000 | 750   | 56  |                | 1 100 | 1 050 | 700   |
| 58   |                |       | 850   | 700   | 58  |                |       | 900   | 650   |
| 60   |                |       | 700   | 700   | 60  |                |       | 750   | 650   |
| 62   |                |       | 550   | 550   | 62  |                |       | 600   | 600   |
| 64   |                |       |       | 400   | 64  |                |       |       | 450   |

This information is not for crane operation. Operator must refer to the in-cab information for crane operation. Rated lifting capacities shown on fully extended outriggers do not exceed 75% of the tipping loads and on tires do not exceed 65% of the tipping loads.

| 17 917kg Counterweight – Fully Extended Outriggers – 360° Rotation<br>(All Capacities Are Listed In Kilograms) |                |       |       |       |   |                |       |       |       |
|--|----------------|-------|-------|-------|---|----------------|-------|-------|-------|
| 42.67m Main Boom Length<br>30° Fly Offset  |                |       |       |       | 42.67m Main Boom Length<br>45° Fly Offset |                |       |       |       |
| Radius<br>(ft)   | Fly Length (m) |       |       |       | Radius<br>(ft)                            | Fly Length (m) |       |       |       |
|  | 10.67          | 17.68 | 22.56 | 27.43 |   | 10.67          | 17.68 | 22.56 | 27.43 |
| 18   | 4 450          |       |       |       | 18  |                |       |       |       |
| 20   | 4 350          |       |       |       | 20  | 3 950          |       |       |       |
| 22   | 4 300          |       |       |       | 22  | 3 950          |       |       |       |
| 24   | 4 200          | 2 550 | 2 050 | 1 650 | 24  | 3 900          |       |       |       |
| 26   | 4 150          | 2 500 | 1 900 | 1 550 | 26  | 3 900          | 2 250 | 1 650 |       |
| 28   | 4 050          | 2 400 | 1 800 | 1 400 | 28  | 3 850          | 2 200 | 1 550 | 1 250 |
| 30   | 3 900          | 2 350 | 1 700 | 1 300 | 30  | 3 750          | 2 150 | 1 500 | 1 200 |
| 32   | 3 700          | 2 300 | 1 600 | 1 250 | 32  | 3 600          | 2 150 | 1 450 | 1 100 |
| 34   | 3 550          | 2 250 | 1 550 | 1 150 | 34  | 3 500          | 2 100 | 1 400 | 1 050 |
| 36   | 3 450          | 2 200 | 1 500 | 1 050 | 36  | 3 400          | 2 100 | 1 350 | 950   |
| 38   | 3 050          | 2 150 | 1 400 | 1 000 | 38  | 3 100          | 2 050 | 1 300 | 900   |
| 40   | 2 700          | 2 050 | 1 350 | 950   | 40  | 2 750          | 1 950 | 1 250 | 850   |
| 42   | 2 400          | 1 950 | 1 300 | 900   | 42  | 2 450          | 1 900 | 1 200 | 800   |
| 44   | 2 150          | 1 900 | 1 250 | 850   | 44  |                | 1 850 | 1 150 | 750   |
| 46   | 1 900          | 1 850 | 1 200 | 800   | 46  |                | 1 800 | 1 150 | 750   |
| 48   |                | 1 800 | 1 200 | 750   | 48  |                | 1 800 | 1 150 | 700   |
| 50   |                | 1 700 | 1 150 | 700   | 50  |                | 1 700 | 1 100 | 650   |
| 52   |                | 1 500 | 1 150 | 650   | 52  |                |       | 1 100 | 650   |
| 54   |                | 1 300 | 1 100 | 650   | 54  |                |       |       | 600   |
| 56   |                |       | 1 100 | 600   | 56  |                |       |       | 600   |
| 58   |                |       | 950   | 600   | 58  |                |       |       | 600   |
| 60   |                |       |       | 600   | 60  |                |       |       |       |
| 62   |                |       |       | 600   | 62  |                |       |       |       |
| 64   |                |       |       | 450   | 64  |                |       |       |       |

This information is not for crane operation. Operator must refer to the in-cab information for crane operation. Rated lifting capacities shown on fully extended outriggers do not exceed 75% of the tipping loads and on tires do not exceed 65% of the tipping loads.

**Link-Belt Construction Equipment Company** Lexington, Kentucky [www.linkbelt.com](http://www.linkbelt.com)

®Link-Belt is a registered trademark. Copyright 2010. We are constantly improving our products and therefore reserve the right to change designs and specifications.